

- NOTES ON SURVEY**
- COORDINATES SYSTEM IS UTM, NAD 83 DATUM, ZONE 17, U.S. FOOT AND WELL COORDINATES ESTABLISHED USING SURVEY GRADE GPS.
 - SURFACE AND ROYALTY OWNER INFORMATION AND THEIR BOUNDARIES SHOWN HEREON WERE PLOTTED FROM DEEDS AND/OR TAX PARCEL MAPS PROVIDED BY CLIENT AND FIELD LOCATIONS.
 - THIS PLAT DOES NOT REPRESENT A BOUNDARY SURVEY OF THE PARCELS SHOWN HEREON.
 - NO DWELLINGS AND BUILDINGS WITHIN 625 FEET OF PROPOSED OF CENTER OF PAD.
 - NO WATER WELLS OR DEVELOPED SPRINGS WITHIN 250 FEET OF PROPOSED WELL.
 - NO PERENNIAL STREAMS, LAKES, PONDS, RESERVOIRS OR WETLANDS WITHIN 100 FEET OF THE LIMITS OF DISTURBANCE.
 - NO NATURALLY PRODUCING TROUT STREAM WITHIN 300 FEET OF LIMITS OF DISTURBANCE.

LEGEND

	Denotes Location of Well on United States Topographic Maps

I, the undersigned, hereby certify that this plat is correct to the best of my knowledge and belief and shows all the information required by law and the regulations issued and prescribed by the Department of Environmental Protection.

Thomas C. Smit
L. L. S. 687



KEYSTONE CONSULTANTS, LLC

FILE NO:
DRAWING NO: Haggard 4H
SCALE: 1" = 2000'
MINIMUM DEGREE OF ACCURACY: 1:2500
PROVEN SOURCE OF ELEVATION: SG-GPS (OPUS)



DATE: JUNE 10 20 21
OPERATORS WELL NO: Haggard 4H
API WELL NO: **464**
47 - 103 - **03430**
STATE COUNTY PERMIT

WELL TYPE: OIL GAS LIQUID INJECTION WASTE DISPOSAL
(IF GAS) PRODUCTION: STORAGE DEEP SHALLOW

LOCATION ELEVATION: 1512' WATERSHED: LOWER WEST VIRGINIA FORK FISH CREEK QUADRANGLE: LITTLETON
DISTRICT: Center COUNTY: Wetzel

SURFACE OWNER: Amie Lee Henderson ACREAGE: 45.5 ±
ROYALTY OWNER: Amie Lee Henderson, et al. LEASE NO: 870554 ACREAGE: 1.16

PROPOSED WORK: DRILL CONVERT DRILL DEEPER FRACTURE OR STIMULATE PLUG OFF OLD FORMATION
 PERFORATE NEW FORMATION OTHER PHYSICAL CHANGE IN WELL (SPECIFY)

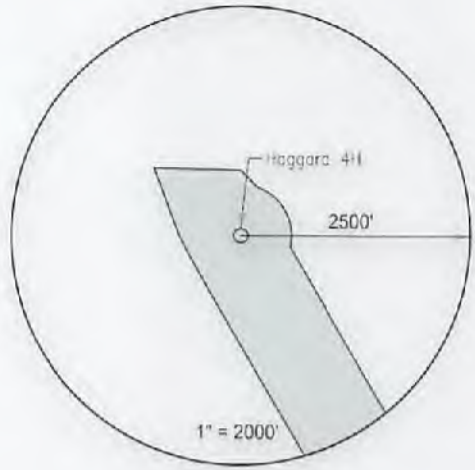
PLUG AND ABANDON CLEAN OUT AND REPLUG TARGET FORMATION: Marcellus ESTIMATED DEPTH: 7,592'

WELL OPERATOR: EQT Production Company DESIGNATED AGENT: Joseph C Mallow
ADDRESS: 400 Woodcliff Drive ADDRESS: 115 Professional Place PO Box 280
Canonsburg, PA 15317 Bridgeport, WV 26330

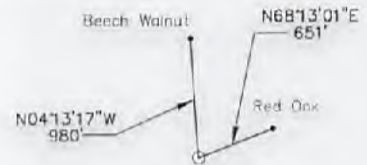
Haggard 4H
Haggard
EQT Production Company

Tract ID	Tax Map No	Parcel No.	County	District	Surface Tract Owner	Acres
1	10	36.0	Wetzel	Center	Amie Lee Henderson	45.50
2	10	36.0	Wetzel	Center	Charles & La Mae Musgrave	14.00
3	10	17.0	Wetzel	Center	Donald Neal Crane	40.00
4	10	27.0	Wetzel	Center	Scott L. Musgrave & Charles & La Mae Musgrave	35.00
5	10	35.0	Wetzel	Center	Sharon J. McMillen	82.00
6	10	51.0	Wetzel	Center	Sharon J. McMillen	10.00
7	10	37.0	Wetzel	Center	Amie Lee Henderson	14.50
8	10	38.1	Wetzel	Center	David A & Mary A Morris	2.08
9	10	38.0	Wetzel	Center	Rusty Lee Morris	43.92
10	10	39.0	Wetzel	Center	Rusty Lee Morris	25.12
11	10	54.0	Wetzel	Center	Ronnie & Yvonne MWade	66.79
12	10	53.0	Wetzel	Center	Wilma Morris	24.10
13	10	52.2	Wetzel	Center	John G Miller	3.02
14	10	49.0	Wetzel	Center	Sharon J. McMillen	33.00
15	14	5.0	Wetzel	Center	Coastal Forest Resources Co	56.15
16	10	52.1	Wetzel	Center	Rusty Lee Morris	3.48
17	14	6.0	Wetzel	Center	John W Furlong	29.70
18	14	19.0	Wetzel	Center	Eugene Arnold Postlethwait	132.68
19	10	52.0	Wetzel	Center	John G Miller EIAL	55.50
20	14	8.0	Wetzel	Center	Joan E & Arthur Miller	20.86
21	10	30.1	Wetzel	Center	John & Ruth A Reilly	26.00

Lease	Owner	Acres
870554	Amie Lee Henderson, et al.	45.5
870534	Goldie Poole, et al.	95.7
1020432	John G. Miller, et al.	55.5



Well References



1" = 1500' HAGGARD 4H

Notes:

HAGGARD 4H coordinates are

NAD 27 N: 422,366.002 E: 1,584,574.814
 NAD 27 Lat: 39.654239 Long: -80.619972
 NAD 83 UTM N: 4,389,460.196 E: 532,590.256

HAGGARD 4H Landing Point coordinates are

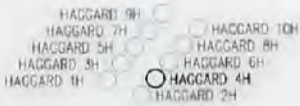
NAD 27 N: 422,023.990 E: 1,684,662.761
 NAD 27 Lat: 39.653303 Long: -80.619972
 NAD 83 UTM N: 4,389,356.447 E: 532,618.786

HAGGARD 4H Bottom Hole coordinates are

NAD 27 N: 419,882.581 E: 1,685,906.463
 NAD 27 Lat: 39.647486 Long: -80.615461
 NAD 83 UTM N: 4,388,710.381 E: 533,008.567

West Virginia Coordinates System of 1927 (North Zone) based upon Differential GPS Measurements
 Plat orientation, Corner and well ties are based upon the grid north meridian
 Well location references are based upon the grid north meridian.
 UTM coordinates are NAD83, Zone 17, Meters.

HAGGARD PAD



I, the undersigned, hereby certify that this plat is correct to the best of my knowledge and belief and shows all the information required by law and the regulations issued and prescribed by the Department of Environmental Protection.

Thomas C. Smit

L. L. S. 687



SEAL

FILE NO:
DRAWING NO: Haggard 4H
SCALE: 1" = 1000'
MINIMUM DEGREE OF ACCURACY: 1:2500
PROVEN SOURCE OF ELEVATION: NGS CORS Station



DATE: JUNE 10 20 21
 OPERATORS WELL NO: Haggard 4H
 API WELL NO: 464
 47 - 103 - 03430
 STATE COUNTY PERMIT

WELL TYPE: OIL GAS LIQUID INJECTION WASTE DISPOSAL
 (IF GAS) PRODUCTION: STORAGE DEEP SHALLOW

LOCATION ELEVATION: 1512' WATERSHED: LOWER WEST VIRGINIA FORK FISH CREEK QUADRANGLE: LITTLETON
 DISTRICT: Center COUNTY: Wetzel

SURFACE OWNER: Amie Lee Henderson ACREAGE: 45.5 ±
 ROYALTY OWNER: Amie Lee Henderson, et al. LEASE NO: 870554 ACREAGE: 45.5 ±

PROPOSED WORK: DRILL CONVERT DRILL DEEPER FRACTURE OR STIMULATE PLUG OFF OLD FORMATION
 PERFORATE NEW FORMATION OTHER PHYSICAL CHANGE IN WELL (SPECIFY)

PLUG AND ABANDON CLEAN OUT AND REPLUG TARGET FORMATION: Marcellus ESTIMATED DEPTH: 7,592'

WELL OPERATOR: EQT Production Company DESIGNATED AGENT: Joseph C Mallow
 ADDRESS: 400 Woodcliff Drive ADDRESS: 115 Professional Place PO Box 280
 Canonsburg, PA 15317 Bridgeport, WV 26330

09/10/2021

Topo Quad: Littleton

Scale: 1"=1000'

County: Wetzel

Date: January 25, 2021

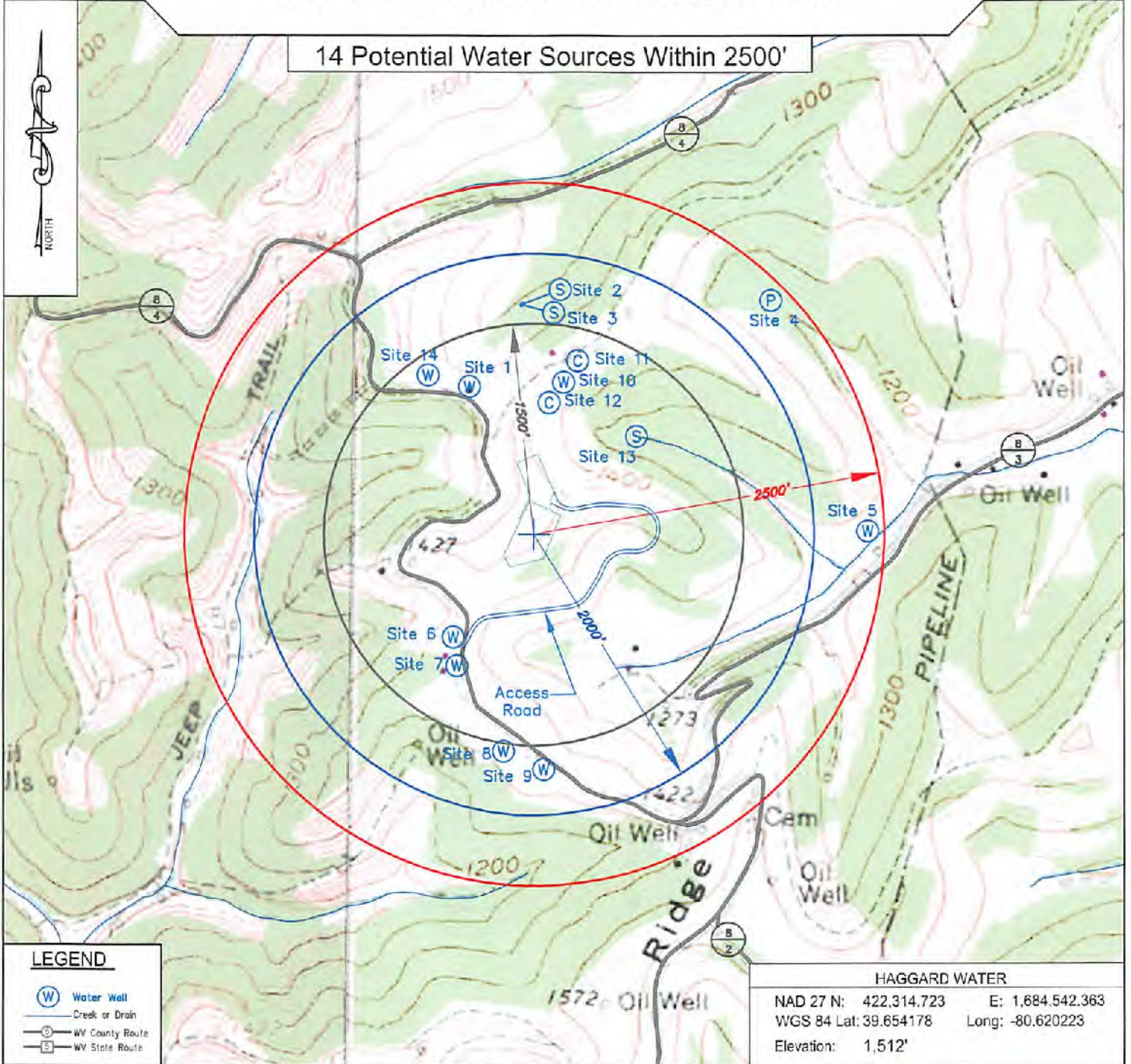
District: Center

Project NO: _____

HAGGARD WELL PAD

Water

14 Potential Water Sources Within 2500'



Keystone Consultants, LLC
32 East Main Street
Carnegie, PA 15106
412 278-2100

Prepared For:
EQT Production Company
400 Woodcliff Drive
Canonsburg, PA 15317



RECEIVED
Office of Oil and Gas
JUL 06 2021

WV Department of Environmental Protection
09/10/2021