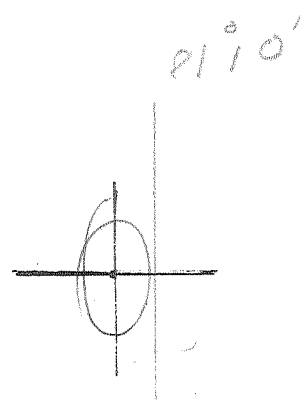
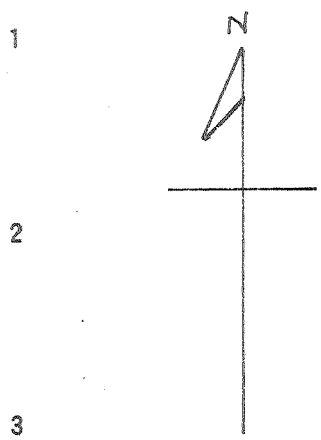
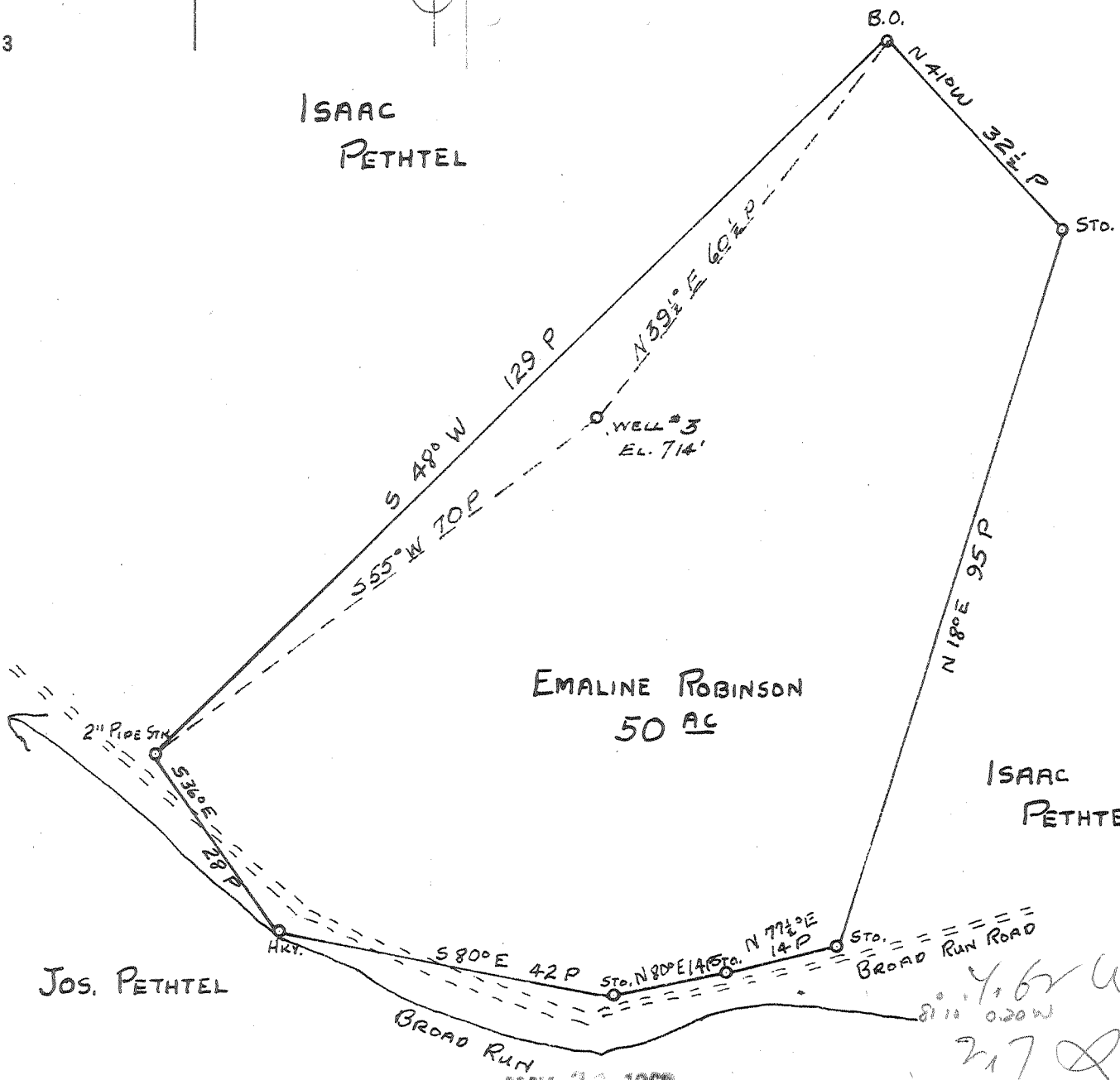


0 1 2 3 Latitude 9° 25'

Longitude 81° 05'



ISAAC  
PETHTEL



4.62 W  
217

ABANDONMENT

MAY 23 1960

Company	HART & HAMILTON
Address	ST. MARYS, W.VA.
Farm	EMALINE ROBINSON
Tract	Acres 50 Lease No. 48
Well (Farm) No.	3 Serial No. 101
Elevation (Spirit Level)	714
Quadrangle	ST. MARYS
County	PLEASANTS District WASHINGTON
Engineer	JOHN W. HAMILTON
Engineer's Registration No.	2274
File No.	Drawing No.
Date	MAY 1, 1960 Scale 1" = 20 P.

STATE OF WEST VIRGINIA  
DEPARTMENT OF MINES  
OIL AND GAS DIVISION  
CHARLESTON

WELL LOCATION MAP  
FILE NO. PLEAS-798-A

+ Denotes location of well on United States Topographic Maps, scale 1 to 62,500, latitude and longitude lines being represented by border lines as shown.

- Denotes one inch spaces on border line of original tracing.

EMALINE ROBINSON NO. 3 (101) - HART & HAMILTON - PLEAS-798-A