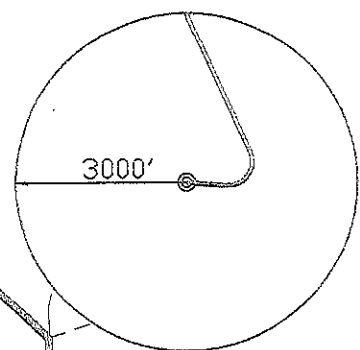
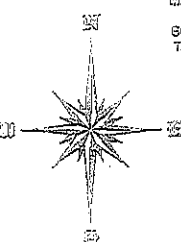
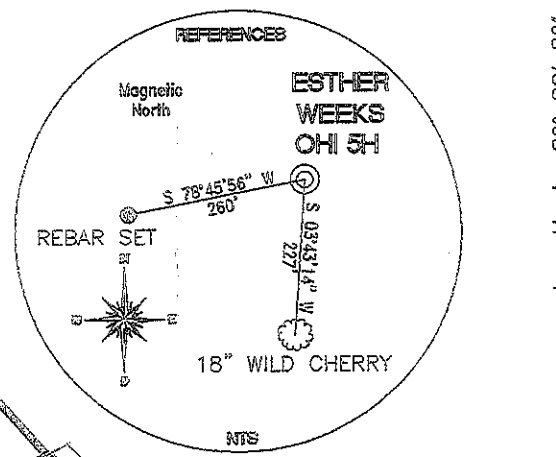


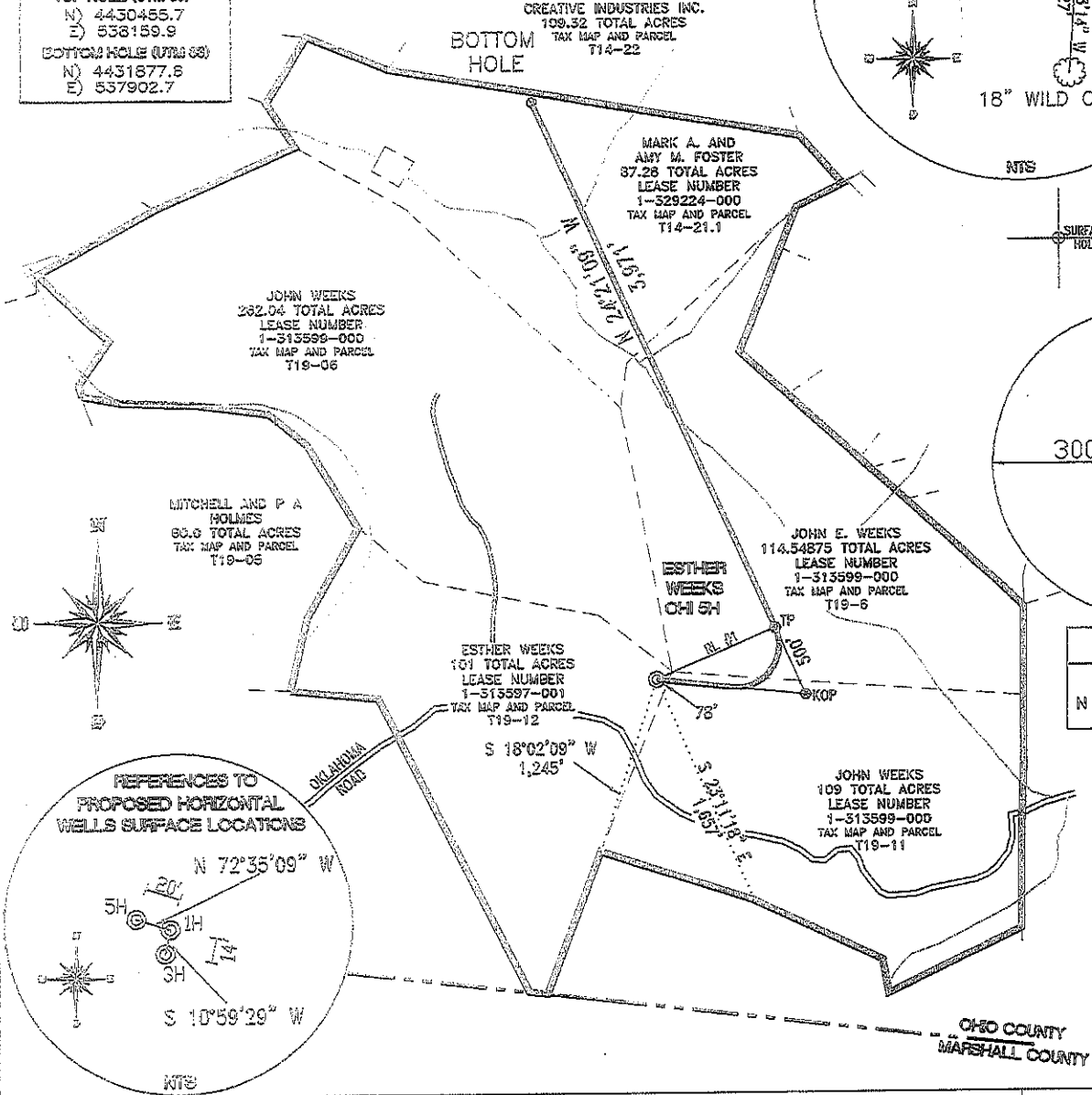
<p>TOP HOLE (NAD 83)</p> <p>N) 557339.0 E) 1873728.7 LAT.) 40°01'31.5" LONG.) 80°33'09.3" DEC. LAT.) 40.025417 DEC. LONG.) 80.552594</p>	<p>KOP (NAD 83)</p> <p>N) 557229.5 E) 1874740.5 LAT.) 40°01'30.5" LONG.) 80°32'56.3" DEC. LAT.) 40.025149 DEC. LONG.) 80.548976</p>	<p>TP (NAD 83)</p> <p>N) 557685.1 E) 1874534.3 LAT.) 40°01'35.0" LONG.) 80°32'59.0" DEC. LAT.) 40.026393 DEC. LONG.) 80.549731</p>	<p>BOTTOM HOLE (NAD 83)</p> <p>N) 561305.2 E) 1872896.7 LAT.) 40°02'10.6" LONG.) 80°33'20.6" DEC. LAT.) 40.036272 DEC. LONG.) 80.555731</p>
<p>TOP HOLE (NAD 27)</p> <p>N) 557302.0 E) 1705163.0 LAT.) 40°01'31.2" LONG.) 80°33'10.1" DEC. LAT.) 40.025345 DEC. LONG.) 80.552799</p>	<p>KOP (NAD 27)</p> <p>N) 557192.6 E) 1706174.8 LAT.) 40°01'30.5" LONG.) 80°32'57.1" DEC. LAT.) 40.025075 DEC. LONG.) 80.549182</p>	<p>TP (NAD 27)</p> <p>N) 557648.1 E) 1705998.6 LAT.) 40°01'34.7" LONG.) 80°32'59.8" DEC. LAT.) 40.026319 DEC. LONG.) 80.549937</p>	<p>BOTTOM HOLE (NAD 27)</p> <p>N) 561266.2 E) 1704331.1 LAT.) 40°02'10.3" LONG.) 80°33'21.4" DEC. LAT.) 40.036198 DEC. LONG.) 80.555936</p>

<p>TOP HOLE (UTM 89)</p> <p>N) 4430485.7 E) 538159.9</p>	<p>BOTTOM HOLE (UTM 89)</p> <p>N) 4431877.8 E) 537902.7</p>
--	---



<p>REFERENCE LINES</p> <p>RL #1 N 66°45'21" E 677'</p>
--

REFERENCE NOTES
Boundaries as shown taken from deeds, tax maps and field locations. A full boundary survey is not expressed nor implied. All bearings are based on true north. Ownership taken from public records. Ohio County, West Virginia. NOVEMBER 2011. State Plane Coordinates & NAD 83 Lat/Long by differential submeter mapping grade GPS. Drafted by EAM.



FILE #: CHE 021
DRAWING #: 1888
SCALE: 1"=1200'
MINIMUM DEGREE OF ACCURACY: 1/200
PROVEN SOURCE SUBMETER MAPPING OF ELEVATION: GRADE GPS

I, THE UNDERSIGNED, HEREBY CERTIFY THAT THIS PLAT IS CORRECT TO THE BEST OF MY KNOWLEDGE AND BELIEF AND SHOWS ALL THE INFORMATION REQUIRED BY LAW AND THE REGULATIONS ISSUED AND PRESCRIBED BY THE DEPARTMENT OF ENVIRONMENTAL PROTECTION.
Signed:
L.L.S. #2124: Ernest J. Benchek III

(+) DENOTES LOCATION OF WELL ON UNITED STATES TOPOGRAPHIC MAPS
WVDEP
OFFICE OF OIL & GAS
601 5TH STREET
CHARLESTON, WV 25304

Well Type: Oil Waste Diposal Production Deep
 Gas Liquid Injection Storage Shallow

WATERSHED: UPPER OHIO SOUTH
COUNTY/DISTRICT: OHIO/LIBERTY
SURFACE OWNER: ESTHER WEEKS AND JOHN WEEKS
OIL & GAS ROYALTY OWNER: ESTHER WEEKS
LEASE NUMBERS:

DATE: DECEMBER 07, 2011
OPERATOR'S WELL #: ESTHER WEEKS OHI 5H
API WELL #: 47 69 00129H601
STATE COUNTY PERMIT

ELEVATION: 1,260'
QUADRANGLE: VALLEY GROVE WV.
ACREAGE: 101.0 +/-
ACREAGE: 411.83 +/-

DRILL CONVERT DRILL DEEPER REDRILL FRACTURE OR STIMULATE
PLUG OFF FORMATION PERFORATE NEW FORMATION PLUG & ABANDON
CLEAN OUT & REPLUG OTHER CHANGE (SPECIFY):

TARGET FORMATION: MARCELLUS
WELL OPERATOR: CHESAPEAKE APPALACHIA, LLC.
ADDRESS: PO BOX 18496
CITY: OKLAHOMA CITY STATE: OK ZIP CODE: 73154-0496

ESTIMATED DEPTH: TVD: 6,684' TMD: 11,052'
DESIGNATED AGENT: ERIC B. GILLESPIE
ADDRESS: PO Box 6070
CITY: CHARLESTON STATE: WV ZIP CODE: 25301

05/25/2012

109-00129H6A



05/25/2012