

516229
OXF43
EQT Production Company

Coordinate Notes
West Virginia Coordinate System of 1927 (North Zone) Based upon Differential GPS Measurements. Plat orientation, Corner and well ties are based upon the grid north meridian. Well location references are based upon the grid north meridian. UTM Coordinates are NAD83, Zone 17 Meters.

Lease No.	Acres	Owner
109481	2000	Adele McDougal, et al
107437	277	Mansfield Leeson, et al
1041532	91	Terry E. Leeson, et al
987367	107	Adam Minerals LLC, et al
1042370	94	Lamar Oil and Gas Company Inc., et al
1042367	89	Heirs of L. K. Matheny
987439	84	Donald F. Sieth, et al

- LEGEND**
- ☆ EXISTING OIL/GAS WELL
 - ⊙ WATER FEATURE
 - ⊙ WELL HEAD TOP HOLE
 - ▲ WELL LANDING POINT
 - WELL BOTTOM HOLE
 - REBAR FOUND
 - DRILLED LATERAL LINE
 - - - PERMITTED LATERAL LINE
 - LEASE BOUNDARY
 - - - PROPERTY LINE
 - STREAM
 - 500' LATERAL COLLECTION BUFFER

(—) DENOTES LOCATION OF WELL ON UNITED STATES TOPOGRAPHIC MAPS

I, THE UNDERSIGNED, HEREBY CERTIFY THAT THIS PLAT IS CORRECT TO THE BEST OF MY KNOWLEDGE AND BELIEF AND SHOWS ALL THE INFORMATION REQUIRED BY LAW AND REGULATIONS ISSUED AND PRESCRIBED BY THE DEPARTMENT OF ENVIRONMENTAL PROTECTION.

[Signature]



FILE NO.: EES-60635
DRAWING NO.: OXF43_Well Plat
SCALE: 1" = 2000'
MINIMUM DEGREE OF ACCURACY: ±3'
PROVEN SOURCE OF ELEVATION: GPS

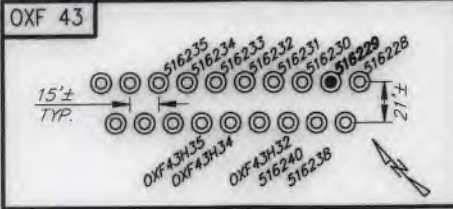
STATE OF WEST VIRGINIA
DEPARTMENT OF ENVIRONMENTAL PROTECTION
OFFICE OF OIL AND GAS

DATE MARCH 11, 20 20
OPERATORS WELL NO. 516229
API WELL NO. 47 017 06740
STATE COUNTY PERMIT

WELL TYPE: OIL GAS LIQUID INJECTION WASTE DISPOSAL (IF GAS) PRODUCTION: STORAGE DEEP SHALLOW
LOCATION, ELEVATION: 1229' (As-Built Pad) WATERSHED: Middle Fork Hughes River QUADRANGLE: OXFORD
DISTRICT: SOUTH WEST / COVE COUNTY: DODDRIDGE
SURFACE OWNER: Cathy Jean Wetzel, ET AL ACREAGE: 104.48± AC
ROYALTY OWNER: Franklin Maxwell Heirs L. P. LEASE NO.: 107429 ACREAGE: 255± AC
PROPOSED WORK: DRILL CONVERT DRILL DEEPER FRACTURE OR STIMULATE PLUG OFF OLD FORMATION
 PERFORATE NEW FORMATION OTHER PHYSICAL CHANGE IN WELL (SPECIFY) _____
 PLUG AND ABANDON CLEAN OUT AND REPLUG TARGET FORMATION: MARCELLUS ESTIMATED DEPTH: 6,647'

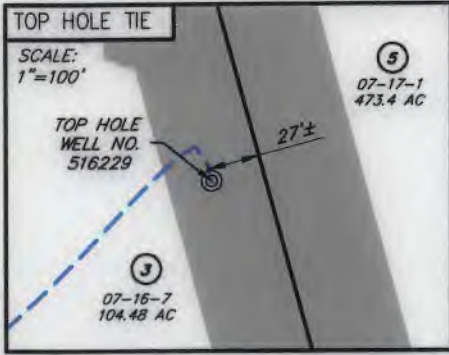
WELL OPERATOR: EQT Production Company DESIGNATED AGENT: Joseph C. Mallow
ADDRESS: 400 Woodcliff Drive ADDRESS: 115 Professional Pl. P.O. Box 280
Canonsburg, PA 15317 Bridgeport, WV 26330

516229
OXF43
EQT Production Company

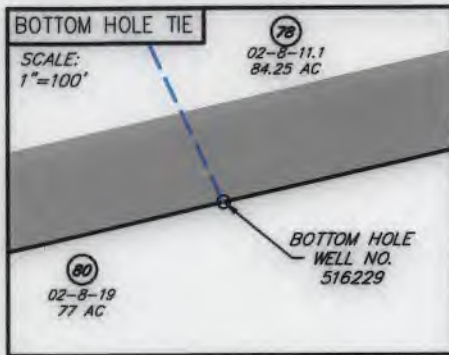


516229 - Well Point Coordinates

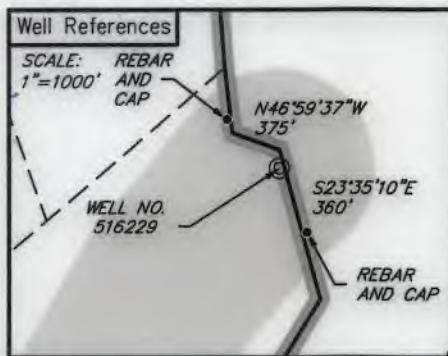
Top Hole Coordinates		
NAD 27 S.P.C. (Ft.)	N: 241,923.023	E: 1,633,410.601
NAD 27 GEO	LAT: 39.156979	LONG: 80.792775
NAD 83 UTM 17N (M)	N 4,334,227.0	E: 517,919.3
NAD 83 S.P.C. (Ft.)	N 241,958.4	E: 1,601,969.8
Landing Point Coordinates		
NAD 27 S.P.C. (Ft.)	N: 240,343.396	E: 1,632,507.490
NAD 27 GEO	LAT: 39.152607	LONG: 80.795879
NAD 83 UTM 17N (M)	N 4,333,741.2	E: 517,652.2
NAD 83 S.P.C. (Ft.)	N 240,378.7	E: 1,601,066.7
Bottom Hole Coordinates		
NAD 27 S.P.C. (Ft.)	N: 228,708.712	E: 1,638,000.326
NAD 27 GEO	LAT: 39.120881	LONG: 80.775930
NAD 83 UTM 17N (M)	N 4,330,224.7	E: 519,384.7
NAD 83 S.P.C. (Ft.)	N 228,744.2	E: 1,606,559.7



NO.	SURFACE OWNER
3	CATHY JEAN WETZEL, ET AL
5	RANDY E. & WILLIAM LEE HUFF
16	MANSFIELD LEESON
67	TRENDON & MARY JANE SPURGEON
70	TERRY E. LEESON
71	TERRY E. LEESON
72	TERRY E. LEESON
73	WM & RANDY HUFF DECEDENTS
78	COASTAL FOREST RESOURCES CO.
79	COASTAL FOREST RESOURCES CO.



NO.	ADJACENT OWNER
77	BRUCE D. & GLADYS L. ROTH
80	ALBERT L. LOAR
81	JERRY HOSAFLOOK, ET AL
82	JERRY HOSAFLOOK, ET AL
83	COASTAL FOREST RESOURCES CO.



LEGEND

- ☆ EXISTING OIL/GAS WELL
- ⊙ WATER FEATURE
- ⊙ WELL HEAD TOP HOLE
- ▲ WELL LANDING POINT
- WELL BOTTOM HOLE
- REBAR FOUND
- - - DRILLED LATERAL LINE
- - - PERMITTED LATERAL LINE
- LEASE BOUNDARY
- - - PROPERTY LINE
- STREAM
- - - 500' LATERAL COLLECTION BUFFER



I, THE UNDERSIGNED, HEREBY CERTIFY THAT THIS PLAT IS CORRECT TO THE BEST OF MY KNOWLEDGE AND BELIEF AND SHOWS ALL THE INFORMATION REQUIRED BY LAW AND REGULATIONS ISSUED AND PRESCRIBED BY THE DEPARTMENT OF ENVIRONMENTAL PROTECTION.

[Signature]



FILE NO.: EES-60635
DRAWING NO.: OXF43_Well Plat
SCALE: 1" = 2000'
MINIMUM DEGREE OF ACCURACY: ±3'
PROVEN SOURCE OF ELEVATION: GPS

STATE OF WEST VIRGINIA
DEPARTMENT OF ENVIRONMENTAL PROTECTION
OFFICE OF OIL AND GAS

DATE MARCH 11, 20 20
OPERATORS WELL NO. 516229
API WELL NO. 47 017 06740
STATE COUNTY PERMIT

WELL TYPE: OIL GAS LIQUID INJECTION WASTE DISPOSAL (IF GAS) PRODUCTION: STORAGE DEEP SHALLOW
LOCATION, ELEVATION: 1229' (As-Built Pad) WATERSHED: Middle Fork Hughes River QUADRANGLE: OXFORD
DISTRICT: SOUTH WEST / COVE COUNTY: DODDRIDGE
SURFACE OWNER: Cathy Jean Wetzel, ET AL ACREAGE: 104.48± AC
ROYALTY OWNER: Franklin Maxwell Heirs L. P. LEASE NO.: 107429 ACREAGE: 255± AC
PROPOSED WORK: DRILL CONVERT DRILL DEEPER FRACTURE OR STIMULATE PLUG OFF OLD FORMATION
 PERFORATE NEW FORMATION OTHER PHYSICAL CHANGE IN WELL (SPECIFY) _____
 PLUG AND ABANDON CLEAN OUT AND REPLUG TARGET FORMATION: MARCELLUS ESTIMATED DEPTH: 6,647'

WELL OPERATOR: EQT Production Company DESIGNATED AGENT: Joseph C. Mallow
ADDRESS: 400 Woodcliff Drive ADDRESS: 115 Professional Pl. P.O. Box 280
Canonsburg, PA 15317 Bridgeport, WV 26330

WWW.ENCOMPASSSERVICES.COM PLOT DATE: 3/11/2020 CAD FILE: OXF_43_WELL_PLAT-2020-03-10.DWG