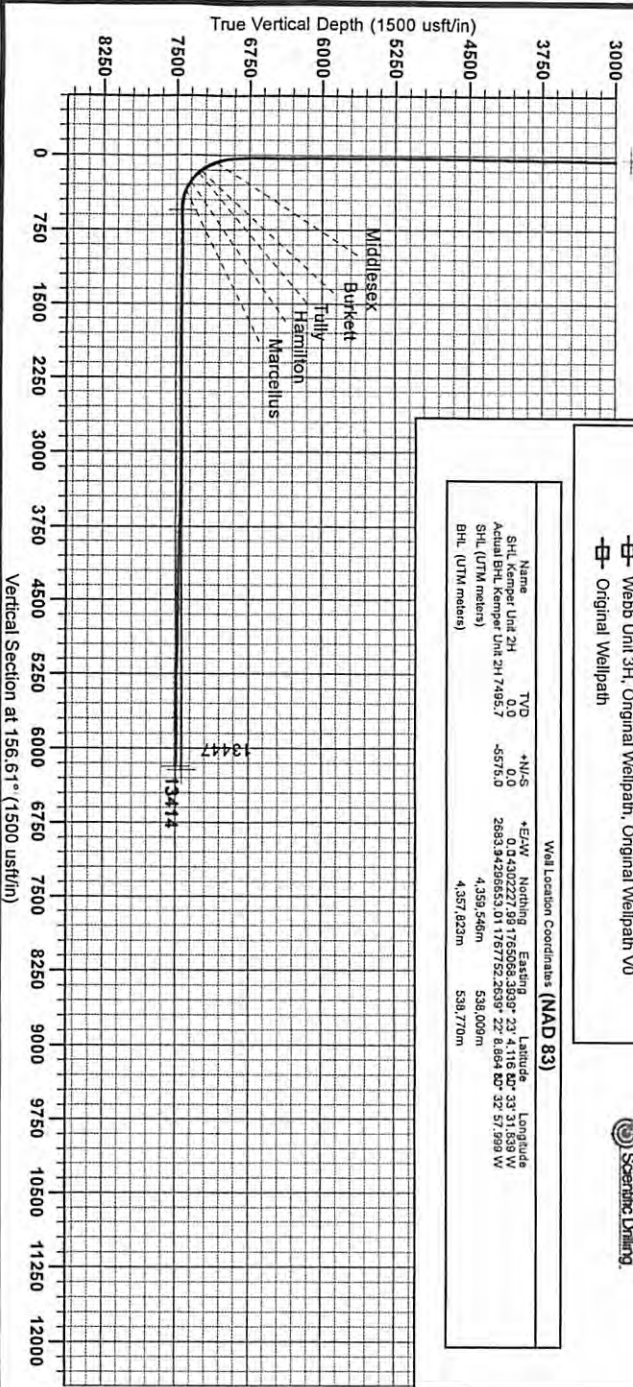


17.06121



Antero Resources
 Kemper Unit 2H
 Doddridge County WV
 Northing: 14302227.99
 Easting: 1765068.39
 Original Wellpath



WELL DETAILS: Kemper Unit 2H

General Level: 1299.0
 +W-5 -E+AV Northing 14302227.99
 0.0 0.0 Easting 1765068.39

PROJECT DETAILS: Doddridge County WV

Geodetic System: Universal Transverse Mercator (US Survey Feet)
 Datum: NAD 1927 (NADCON CONUS)
 Ellipsoid: Clarke 1866
 Zone: Zone 17N (NAD 83 W 79 W)
 System Datum: Mean Sea Level

REFERENCE INFORMATION:
 Chesapeake (US) Reference: Well Name: Unit 2H - 244728222, Grid Unit: Original Well Path
 Section: V0 Reference: 5875 Kemper Unit 2H V0
 Well Name: Unit 2H - 244728222, Grid Unit: Original Well Path
 Section: V0 Reference: 5875 Kemper Unit 2H V0
 Well Name: Unit 2H - 244728222, Grid Unit: Original Well Path

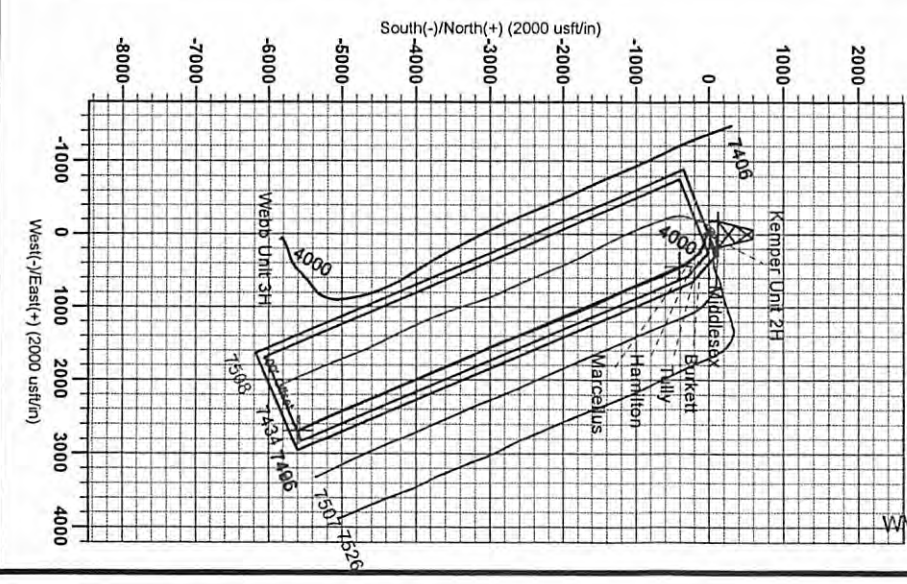
LEGEND

- Kemper Unit 1H, Original Wellpath, Original Wellpath V0
- ✕ Kemper Unit 2H, Original Wellpath, Plan 5 Post Gyro V0
- ± Thomas Unit 1H, Original Wellpath, Original Wellpath V0
- Thomas Unit 2H, Original Wellpath, Original Wellpath V0
- ▣ Webb Unit 3H, Original Wellpath, Original Wellpath V0
- ▣ Original Wellpath

421 South Eagle Lane
 Oklahoma City Oklahoma
 405-787-3663

Scientific Drilling

Well Location Coordinates (NAD 83)			
Name	TVD	+N/S	+E/W
Shl. Well Kemper Unit 2H	795.7	-575.0	4,359,546m
Actual Well Kemper Unit 2H 7495.7	2663.3420625	8,084.60	538,009m
Shl. (UTM meters)			4,357.623m
BHL (UTM meters)			538,770m



Vertical Section at 156.61° (1500 usft/in)

Received
 SEP 16 2013

To convert Magnetic North to Grid, Subtract 8.87°
 To convert True North to Grid, Subtract 0.28°

Asimuth to Grid North
 True North
 Magnetic North
 Magnetic Field
 Dip Angle
 Declination
 Model

WW Dept