

17-06098



Antero Resources
 Yoke Unit 2H
 Doddridge County WV
 Northing: 14237717.32
 Easting: 1727488.30
 Original Wellpath

WELL DETAILS: Yoke Unit 2H

N-S	+E-W	Northing	Ground Level	1241.0
0.0	0.0	14237717.32	Easting	1727488.30
			Latitude	39° 41' 33.4233" W
			Longitude	
			Shrt	

PROJECT DETAILS: Doddridge County WV
 Geodetic System: Universal Transverse Mercator (US Survey Feet)
 Ellipsoid: Clarke 1866
 Zone: Zone 17N (64 W is 78 W)
 System Datum: Mean Sea Level

REFERENCE INFORMATION:
 Corporation: Antero Resources
 Vertical (VD) Reference: Well Unit 2H, GYO North
 Ellipsoid Reference: NAD 83
 Meters Reference: NAD 83
 Calculation Method: Minimum Curvature

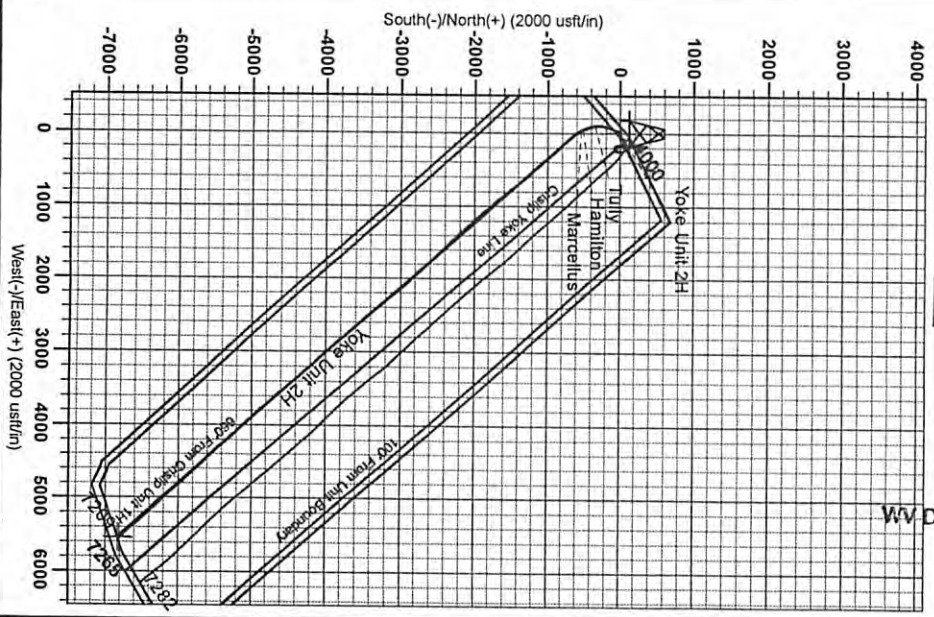
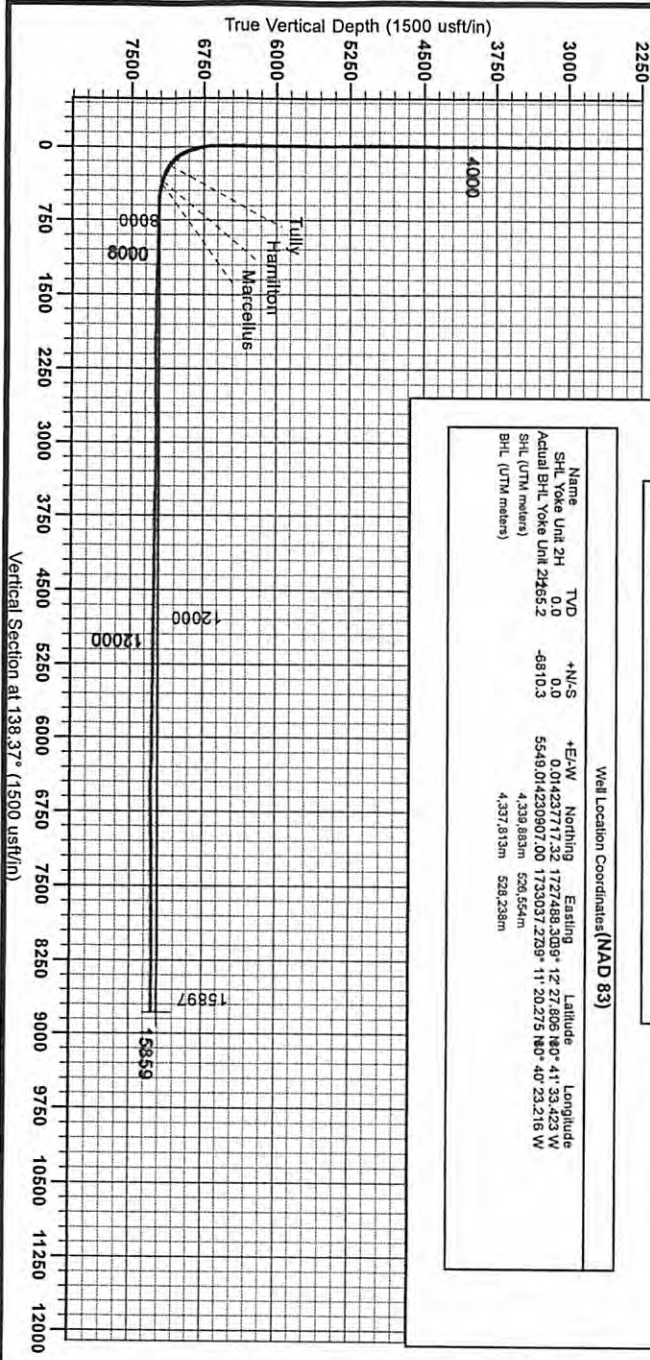
LEGEND

- Yoke Unit 2H, Original Wellpath, Plan 3 Post Gyro VO
- △ Crispip Unit 1H, Sidetrack 1, Sidetrack 1 VO
- ⊖ Original Wellpath

Genie Lightfoot
 14:12, July 18 2013
 Scientific Drilling
 421 South Eagle Lane
 Oklahoma City, OK

Well Location Coordinates (NAD 83)

Name	VD	N-S	+E-W	Northing	Easting	Latitude	Longitude
SHL Yoke Unit 2H	0.0	0.0	0.0	14237717.32	1727488.30	39° 41' 33.4233" W	82° 54' 23.218" W
Actual BHL Yoke Unit 2H	2865.2	-6810.3	5549.0	14237717.32	1723037.2789	39° 40' 23.218" W	82° 54' 23.218" W
BHL (UTM meters)				4339.883m	528.238m		
BHL (UTM meters)				4337.813m	528.238m		



Received

SEP 1

Office of Oil and Gas
 WV Dept. of Environmental Protection

To convert Magnetic North to Grid, Subtract 8.64°
 To convert True North to Grid, Subtract 0.15°

11/08/2013