

06/07/2019



west virginia department of environmental protection

Office of Oil and Gas
601 57th Street, S.E.
Charleston, WV 25304
(304) 926-0450
fax: (304) 926-0452

Austin Caperton, Cabinet Secretary
www.dep.wv.gov

Wednesday, June 5, 2019
PERMIT MODIFICATION APPROVAL
Horizontal 6A / New Drill

SWN PRODUCTION COMPANY, LLC
POST OFFICE BOX 12359
SPRING, TX 77391-4954

Re: Permit Modification Approval for KATHY MAYHEW BRK 1H
47-009-00203-00-00

Extend lateral from 6968.32' to 17898.40'. Leases updated.

SWN PRODUCTION COMPANY, LLC

The Office of Oil and Gas has reviewed the attached permit modification for the above referenced permit. The attached modification has been approved and well work may begin. Please be reminded that the oil and gas inspector is to be notified twenty-four (24) hours before permitted well work is commenced.

If there are any questions, please feel free to contact me at (304) 926- 0450.

A handwritten signature in blue ink, appearing to read "James A. Martin".

James A. Martin
Chief

Operator's Well Number: KATHY MAYHEW BRK 1H
Farm Name: MAYHEW, KATHY LYNN & MICHAEL, ETAL
U.S. WELL NUMBER: 47-009-00203-00-00
Horizontal 6A New Drill
Date Modification Issued: 06/05/2019

Promoting a healthy environment.

4700900203 14
06/07/2019

WW-6B
(10/14)

API NO. 47- 095
OPERATOR WELL NO. Kathy Mayhew BRK 1H
Well Pad Name: Kathy Mayhew PAD

STATE OF WEST VIRGINIA
DEPARTMENT OF ENVIRONMENTAL PROTECTION, OFFICE OF OIL AND GAS
WELL WORK PERMIT APPLICATION

1) Well Operator: SWN Production Co., LLC 49447757 009-Brooke 1- Buffalo 247-Bethany/641
Operator ID County District Quadrangle

2) Operator's Well Number: Kathy Mayhew BRK 1H Well Pad Name: Kathy Mayhew PAD

3) Farm Name/Surface Owner: Kathy Lynn & Michael Mayhew, ET AL Public Road Access: Apple Pie Ridge Road

4) Elevation, current ground: 1281' Elevation, proposed post-construction: 1281'

5) Well Type (a) Gas Oil Underground Storage
Other
(b) If Gas Shallow Deep
Horizontal

6) Existing Pad: Yes or No yes

7) Proposed Target Formation(s), Depth(s), Anticipated Thickness and Associated Pressure(s):
Target Formation- Marcellus, Up-Dip Well to the North, Target Top TVD- 6977', Target Base TVD- 6032', Anticipated Thickness- 55', Associated Pressure- 3921'

8) Proposed Total Vertical Depth: 6020' ✓

9) Formation at Total Vertical Depth: Marcellus

10) Proposed Total Measured Depth: 24,444' ✓

11) Proposed Horizontal Leg Length: 17,898.40' ✓

12) Approximate Fresh Water Strata Depths: 371' * Best Casing Possible/Available

13) Method to Determine Fresh Water Depths: Nearby water well

14) Approximate Saltwater Depths: 623' Salinity Profile

15) Approximate Coal Seam Depths: 454'

16) Approximate Depth to Possible Void (coal mine, karst, other): Possible Void 454'

17) Does Proposed well location contain coal seams directly overlying or adjacent to an active mine? Yes No

(a) If Yes, provide Mine Info: Name: _____
Depth: _____
Seam: _____
Owner: _____

[Handwritten Signature] 4-23-19

RECEIVED
Office of Oil and Gas
MAY 1 2019
WV Department of
Environmental Protection
Page 1 of 3

WW-6B
(10/14)

API NO. 47-009
OPERATOR WELL NO. Kathy Maynew BRK 1H
Well Pad Name: Kathy Maynew PAD

18) CASING AND TUBING PROGRAM

TYPE	Size (in)	New or Used	Grade	Weight per ft. (lb/ft)	FOOTAGE: For Drilling (ft)	INTERVALS: Left in Well (ft)	CEMENT: Fill-up (Cu. Ft.)/CTS
Conductor	20"	New	H-40	94#	100'	100'	CTS
Fresh Water	13 3/8"	New	H-40	48#	528'	528' *	504 sx/CTS
Coal	See	Surface	Casing				
Intermediate	9 5/8"	New	J-55	36#	1798'	1798'	690 sx/CTS
Production	5 1/2"	New	HCP-110	20#	24,444'	24,444'	1,000 sx/CTS
Tubing							
Liners							

* Best Casing Available

C. 780 4-23-19

TYPE	Size (in)	Wellbore Diameter (in)	Wall Thickness (in)	Burst Pressure (psi)	Max. Associated Surface Pressure (psi)	Cement Type	Cement Yield (cu. ft./k)
Conductor	20"	30"	0.25	2120	81	Class A	1.19/50% Excess
Fresh Water	13 3/8"	17.5"	0.380	2740	633	Class A	1.19/50% Excess
Coal	See	Surface	Casing				
Intermediate	9 5/8"	12 1/4"	0.395	3950	1768	Class A	1.19/50% Excess
Production	5 1/2"	8 3/4"	0.361	12360	9500	Class A	1.20/15% Excess
Tubing							
Liners							

PACKERS

Kind:				
Sizes:				
Depths Set:				

RECEIVED
Office of Oil and Gas
MAY 1 2019
WV Department of
Environmental Protection

19) Describe proposed well work, including the drilling and plugging back of any pilot hole:

Drill and stimulate any potential zones between and including the Benson to Marcellus. **If we should encounter a void place basket above and below void area- balance cement to bottom of void and grout from basket to surface. Run casing not less than 20' below void nor more than 50' below void. (*If freshwater is encountered deeper than anticipated it must be protected, set casing 50' below and cts.)

20) Describe fracturing/stimulating methods in detail, including anticipated max pressure and max rate:

Well will be perforated within the target formation and stimulated with a slurry of water, sand, and chemical additives at a high rate. This will be performed in stages with the plug and perf method along the wellbore until the entire lateral has been stimulated within the target formation. All stage plugs are then drilled out and the well is flowed back to surface. The well is produced through surface facilities consisting of high pressure production unites, vertical separation units, water and oil storage tanks. Max press and anticipated max rate- 9000 lbs @ 80 barrels a minute.

21) Total Area to be disturbed, including roads, stockpile area, pits, etc., (acres): 8.20

22) Area to be disturbed for well pad only, less access road (acres): 5.96

23) Describe centralizer placement for each casing string:

All casing strings will be ran with a centralizer at a minimum of 1 per every 3 joints of casing.

24) Describe all cement additives associated with each cement type:

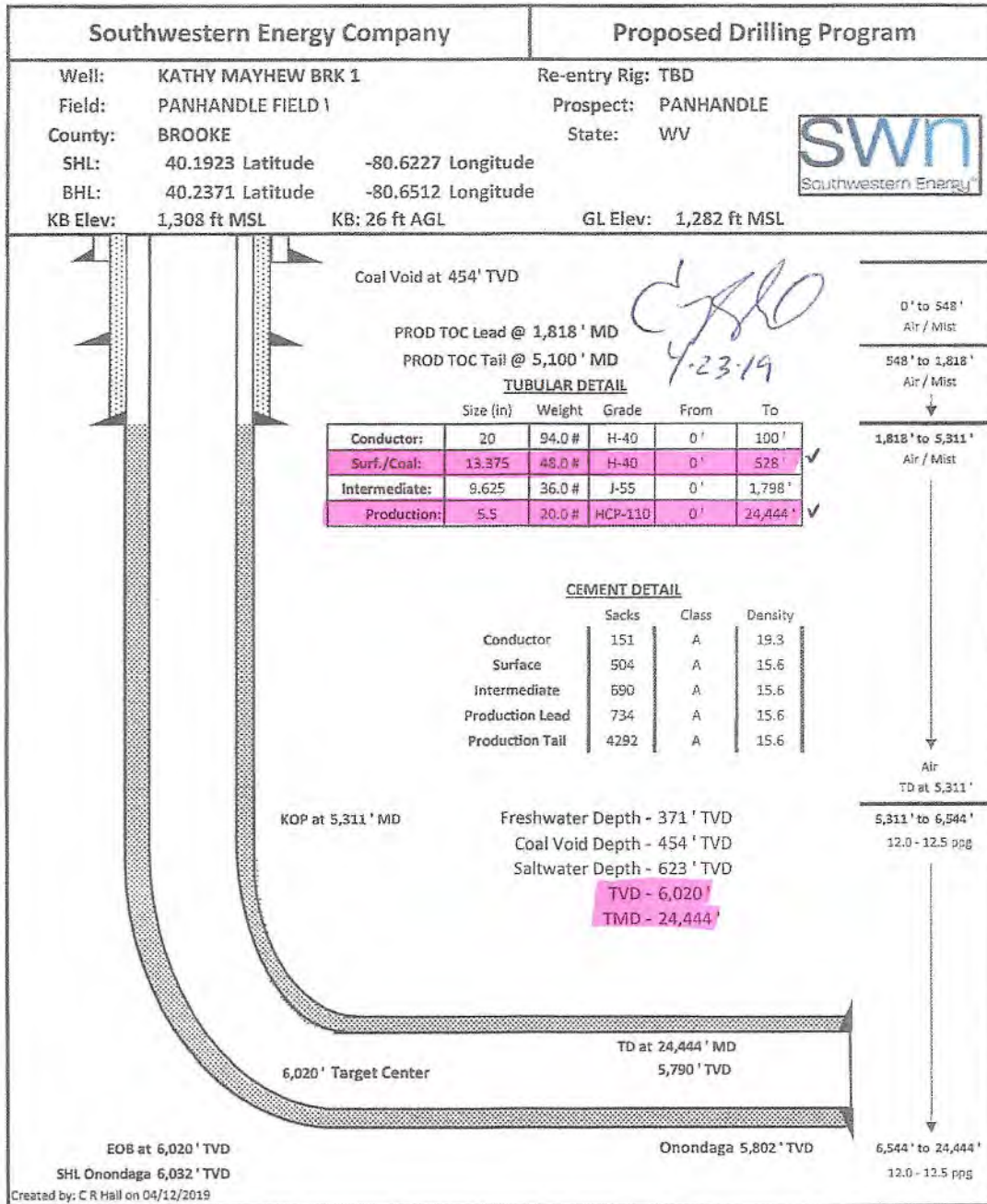
See Attachment ***

25) Proposed borehole conditioning procedures:

All boreholes will be conditioned with circulation and rotation for a minimum of one bottoms up and continuing until operator is satisfied with borehole conditions.

*Note: Attach additional sheets as needed.

RECEIVED
Office of Oil and Gas
MAY 1 2019
WV Department of
Environmental Protection



RECEIVED
Office of Oil and Gas
MAY 1 2019
WV Department of
Environmental Protection

Kathy Mayhew
BRK IH

Operator's Well No. _____

WW-6A1
(5/13)

**INFORMATION SUPPLIED UNDER WEST VIRGINIA CODE
Chapter 22, Article 6A, Section 5(a)(5)
IN LIEU OF FILING LEASE(S) AND OTHER CONTINUING CONTRACT(S)**

Under the oath required to make the verification on page 1 of this Notice and Application, I depose and say that I am the person who signed the Notice and Application for the Applicant, and that –

- (1) the tract of land is the same tract described in this Application, partly or wholly depicted in the accompanying plat, and described in the Construction and Reclamation Plan;
- (2) the parties and recordation data (if recorded) for lease(s) or other continuing contract(s) by which the Applicant claims the right to extract, produce or market the oil or gas are as follows:

Lease Name or Number	Grantor, Lessor, etc.	Grantee, Lessee, etc.	Royalty	Book/Page
----------------------	-----------------------	-----------------------	---------	-----------

See Exhibit A

**Acknowledgement of Possible Permitting/Approval
In Addition to the Office of Oil and Gas**

The permit applicant for the proposed well work addressed in this application hereby acknowledges the possibility of the need for permits and/or approvals from local, state, or federal entities in addition to the DEP, Office of Oil and Gas, including but not limited to the following:

- WV Division of Water and Waste Management
- WV Division of Natural Resources WV Division of Highways
- U.S. Army Corps of Engineers
- U.S. Fish and Wildlife Service
- County Floodplain Coordinator

The applicant further acknowledges that any Office of Oil and Gas permit in no way overrides, replaces, or nullifies the need for other permits/approvals that may be necessary and further affirms that all needed permits/approvals should be acquired from the appropriate authority before the affected activity is initiated.

Well Operator: SWN Production Co., LLC
 By: *Bailey Brougher* Bailey Brougher
 Its: Landman

RECEIVED
Office of Oil and Gas
MAY 1 2019
WV Department of
Environmental Protection

EXHIBIT "A"

Attached to and made a part of the State of West Virginia Oil and Gas Permit Form, WW-6A1, by SWN Production Company, LLC., Operator
 Kathy Mayhew BRK 1H
 Brooke County, West Virginia

#	TMP	LESSOR	LESSEE	ROYALTY	BK/PG		
1)	03-0B42-0027-0000-0000	James Mayhew and Kathy Lynn Mayhew	Chesapeake Appalachia, L.L.C.	12.50%	10/439		
			SWN Production Company, LLC		30/480		
			Andrew George Romanyak and Sara E. Romanyak		Chesapeake Appalachia, L.L.C.	12.50%	10/441
			SWN Production Company, LLC		30/480		
2)	03-0B41-0080-0000-0000	Jay G. Collins and Barbara J. Collins	Chesapeake Appalachia, L.L.C.	12.50%	10/438		
			SWN Production Company, LLC		30/480		
			Fortuna Energy Inc.		12.50%	9/864	
			Range Resources – Appalachia, LLC		10/159		
3)	03-0B41-0079-0000-0000	Jay G. Collins	Chesapeake Appalachia, L.L.C.	12.50%	10/552		
			SWN Production Company, LLC		30/480		
			Fortuna Energy Inc.		12.50%	9/864	
			Range Resources – Appalachia, LLC		10/159		
4)	03-0B41-0078-0000-0000	Sandra W. Butler	Chesapeake Appalachia, L.L.C.	18.00%	16/129		
			SWN Production Company, LLC		30/480		
5)	03-0B41-0072-0000-0000	Sandra W. Butler	Chesapeake Appalachia, L.L.C.	18.00%	16/129		
			SWN Production Company, LLC		30/480		
6)	03-0B41-0088-0000-0000	Ruth A. Hercules	Chesapeake Appalachia, L.L.C.	18.00%	16/119		
			SWN Production Company, LLC		30/480		
7)	03-0B41-0090-0000-0000	Gary A. Morris, Sr.	Chesapeake Appalachia, L.L.C.	18.00%	18/346		
			SWN Production Company, LLC		30/480		
8)	03-0B41-0091-0000-0000	Ruth A. Hercules	Chesapeake Appalachia, L.L.C.	18.00%	16/119		
			SWN Production Company, LLC		30/480		
9)	03-0B41-0094-0000-0000	D. LaVaughn Suter	Chesapeake Appalachia, L.L.C.	18.00%	18/351		
			SWN Production Company, LLC		30/480		
10)	03-0B41-0095-0000-0000	Elizabeth E. Fluharty	Chesapeake Appalachia, L.L.C.	17.00%	19/475		
			SWN Production Company, LLC		30/480		

RECEIVED
 Office of Oil and Gas
 MAY 1 2019
 WV Department of
 Environmental Protection

EXHIBIT "A"

Attached to and made a part of the State of West Virginia Oil and Gas Permit Form, WW-6A1, by SWN Production Company, LLC., Operator
 Kathy Mayhew BRK 1H
 Brooke County, West Virginia

11)	03-0B41-0098-0000-0000	Ernest F. Capp & Joann P Capp	Great Lakes Energy Partners, L.L.C. Range Resources – Appalachia, LLC Chesapeake Appalachia, L.L.C. SWN Production Company, LLC	12.50%	10/103 20/733 10/552 30/480
12)	03-0B41-0064-0000-0000	Ernest F. Capp & Joann P Capp	Great Lakes Energy Partners, L.L.C. Range Resources – Appalachia, LLC Chesapeake Appalachia, L.L.C. SWN Production Company, LLC	12.50%	10/103 20/733 10/552 30/480
13)	03-0B41-0099-0000-0000	Loretta J. Basil, a/k/a Loretta Joan Basil	Chesapeake Appalachia, L.L.C. SWN Production Company, LLC	18.00%	19/579 30/480
14)	03-0B36-0113-0000-0000	James William Debevoise and Catherine S. Debevoise	Chesapeake Appalachia, L.L.C. SWN Production Company	18.00%	24/348 30/480
		Raymond D. Debevoise and Naomi R. Debevoise	Chesapeake Appalachia, L.L.C. SWN Production Company, LLC	18.00%	24/343 30/480
		Carol Lee Duffy	SWN Production Company, LLC	14.00%	32/569
		Betty Gay Fisher	Chesapeake Appalachia, L.L.C. SWN Production Company, LLC	18.00%	24/338 30/480
		Gail Phillips Atkinson	Chesapeake Appalachia, L.L.C. SWN Production Company, LLC	18.00%	19/186 30/480
15)	03-0B36-0107-0000-0000	George W. Grimm	Chesapeake Appalachia, L.L.C. SWN Production Company, LLC	18.00%	19/174 30/480
		Mark Phillips	Chesapeake Appalachia, L.L.C. SWN Production Company, LLC	18.00%	19/180 30/480
		Alfred Schell	Chesapeake Appalachia, L.L.C. SWN Production Company, LLC	18.00%	18/329 30/480
		CNX Gas Company LLC	SWN Production Company, LLC and Equinor USA Onshore Properties Inc.	21.00%	947/657
17)	03-B36L-0037-0000-0000	Jay Challen Mulhollen and Nancy Curtis Mulhollen	Chesapeake Appalachia, L.L.C. SWN Production Company, LLC	18.00%	26/18 30/480
18)	03-B36L-0035-0000-0000	Jay Challen Mulhollen and Nancy Curtis Mulhollen	Chesapeake Appalachia, L.L.C. SWN Production Company, LLC	18.00%	26/18 30/480

RECEIVED
 Office of Oil and Gas
 MAY 1 2019
 Department of Environmental Protection

EXHIBIT "A"

Attached to and made a part of the State of West Virginia Oil and Gas Permit Form, WW-6A1, by SWN Production Company, LLC., Operator
 Kathy Mayhew BRK 1H
 Brooke County, West Virginia

19)	03-B36L-0034-0000-0000	Jay Challen Mulhollen and Nancy Curtis Mulhollen	Chesapeake Appalachia, L.L.C. SWN Production Company, LLC ✓	18.00%	26/18 30/480
20)	03-B36L-0032-0000-0000	Floyd B. Loughrie and Doris Marlene Loughrie	Chesapeake Appalachia, L.L.C. SWN Production Company, LLC ✓	18.00%	11/215 30/480
21)	03-B36L-0030-0000-0000	Floyd B. Loughrie and Doris Marlene Loughrie	Chesapeake Appalachia, L.L.C. SWN Production Company, LLC ✓	18.00%	11/215 30/480
22)	03-B36L-0031-0000-0000	Hubert E. Headen and Cassie E. Headen	SWN Production Company, LLC ✓	18.00%	48/56
23)	03-B36L-0029-0000-0000	Hubert Estes Headen and Erma Headen a/k/a C. Erma Headen	SWN Production Company, LLC ✓	18.00%	44/596
24)	03-B36L-0002-0000-0000	Hubert Estes Headen and Erma Headen a/k/a C. Erma Headen	SWN Production Company, LLC ✓	18.00%	44/596
25)	03-B36L-0001-0000-0000	John Bado	SWN Production Company, LLC ✓	18.00%	43/183
26)	03-B36G-0001-0000-0000	Lester Wallace and Katherine Wallace	Mountaineer Natural Gas Company Chesapeake Appalachia, L.L.C. SWN Production Company, LLC ✓	15.00%	10/266 24/659 30/480
27)	03-B36G-0002-0000-0000	John Bado	SWN Production Company, LLC	18.00%	43/188
28)	01-BB36-0023-0001-0000	Beverly Baker	SWN Production Company, LLC	18.00%	47/312
		Darla Bycott	SWN Production Company, LLC	18.00%	47/270
		Clayton M. Bane	SWN Production Company, LLC	18.00%	47/276
		Doris Ann Matthews Rogus	SWN Production Company, LLC	18.00%	49/88
		James Miller Matthews	SWN Production Company, LLC	18.00%	49/494
		Jean E. Matthews Gressly	SWN Production Company, LLC	18.00%	49/491
		Susan M. Pease	SWN Production Company, LLC	18.00%	49/421
		Bounty Minerals, LLC	SWN Production Company, LLC ✓	18.00%	43/278
29)	03-0B36-0006-0000-0000	Louis J. Miller and Arline F. Miller	SWN Production Company, LLC ✓	18.00%	46/406
30)	03-0B36-0005-0000-0000	Louis J. Miller and Arline F. Miller	SWN Production Company, LLC ✓	18.00%	46/406
31)	03-0B31-0074-0000-0000	Gary Bucey	SWN Production Company, LLC	18.00%	49/375
		Jeffrey Bucey	SWN Production Company, LLC	18.00%	49/380
		Timothy Bucey	SWN Production Company, LLC	18.00%	49/370
		Donald R. Reynolds and Diane K. Reynolds	SWN Production Company, LLC	18.00%	49/505
		Henry Robert Wells Jr.	SWN Production Company, LLC ✓	18.00%	49/576
32)	01-BB31-0019-0000-0000	Otis M. Baker, Jr. and Edna Jo Baker	SWN Production Company, LLC ✓	18.00%	45/561

RECEIVED
 MAY 1 2019
 Office of Oil and Gas
 WV Department of
 Environmental Protection

EXHIBIT "A"

Attached to and made a part of the State of West Virginia Oil and Gas Permit Form, WW-6A1, by SWN Production Company, LLC., Operator
 Kathy Mayhew BRK 1H
 Brooke County, West Virginia

33)	01-BB31-0025-0000-0000	Albert Thornton Pell Jr. and Sheila Pell	SWN Production Company, LLC	18.00%	51/264
34)	03-0B31-0058-0000-0000	Carl P. Nielsen and Margaret Nielsen	SWN Production Company, LLC	18.00%	45/702
35)	01-BB31-0032-0000-0000	Gladys Virginia Crow	SWN Production Company, LLC	18.00%	45/340
36)	01-BB31-0033-0000-0000	Robert James McCullagh III	SWN Production Company, LLC	18.00%	45/571
37)	01-0B31-0058-0000-0000	Carl P. Nielsen and Margaret Nielsen	SWN Production Company, LLC	18.00%	45/702
38)	01-BB31-0054-0000-0000	Robert James McCullagh III	SWN Production Company, LLC	18.00%	45/769
39)	01-BB31-0053-0000-0000	Robert James McCullagh III	SWN Production Company, LLC	18.00%	45/769
40)	01-BB31-0052-0000-0000	Robert James McCullagh III	SWN Production Company, LLC	18.00%	45/769
41)	01-BB31-0055-0000-0000	Robert James McCullagh III	SWN Production Company, LLC	18.00%	45/769
42)	RIGHT OF WAY	N/A	N/A	N/A	N/A

4
 ✓

RECEIVED
 Office of Oil and Gas
 MAY 1 2019
 WV Department of
 Environmental Protection



06/07/2019
SWN Production Company, LLC
1300 Fort Pierpont Dr, Ste 201
Morgantown, WV 26508
Tel: 304 884 1610
Fax: 304 471 2497
www.swn.com

April 9, 2019

Ms. Laura Adkins
WV DEP Office of Oil & Gas
601 57th St., SE
Charleston, WV 25304

RE: SWN's proposed New Well: Kathy Mayhew BRK 1H Brooke County, West Virginia, Drilling under Co. Hwy 28, Sidney Road, Chapel Hill Church Road, Apple Pie Ridge Road, Hukill Run Road, Beech Bottom Hill Road, and Girty Run Road

Dear Ms. Adkins:

SWN Production Company, LLC ("SWN") is applying for a drilling permit for the above referenced well. The State of West Virginia has raised some concern as to SWN's right to drill under Co. Hwy 28, Sidney Road, Chapel Hill Church Road, Apple Pie Ridge Road, Hukill Run Road, Beech Bottom Hill Road, and Girty Run Road. Please be advised that SWN has leased all mineral owners under said route as it relates to the above-referenced well and unit.

Thank you.

Sincerely,

Bailey Brougher, RL
Landman – SW Appalachia

SWN $\frac{R^L}{A} \rightarrow V^+$
Southwestern Energy®
10000 Energy Drive
Spring TX, 77389

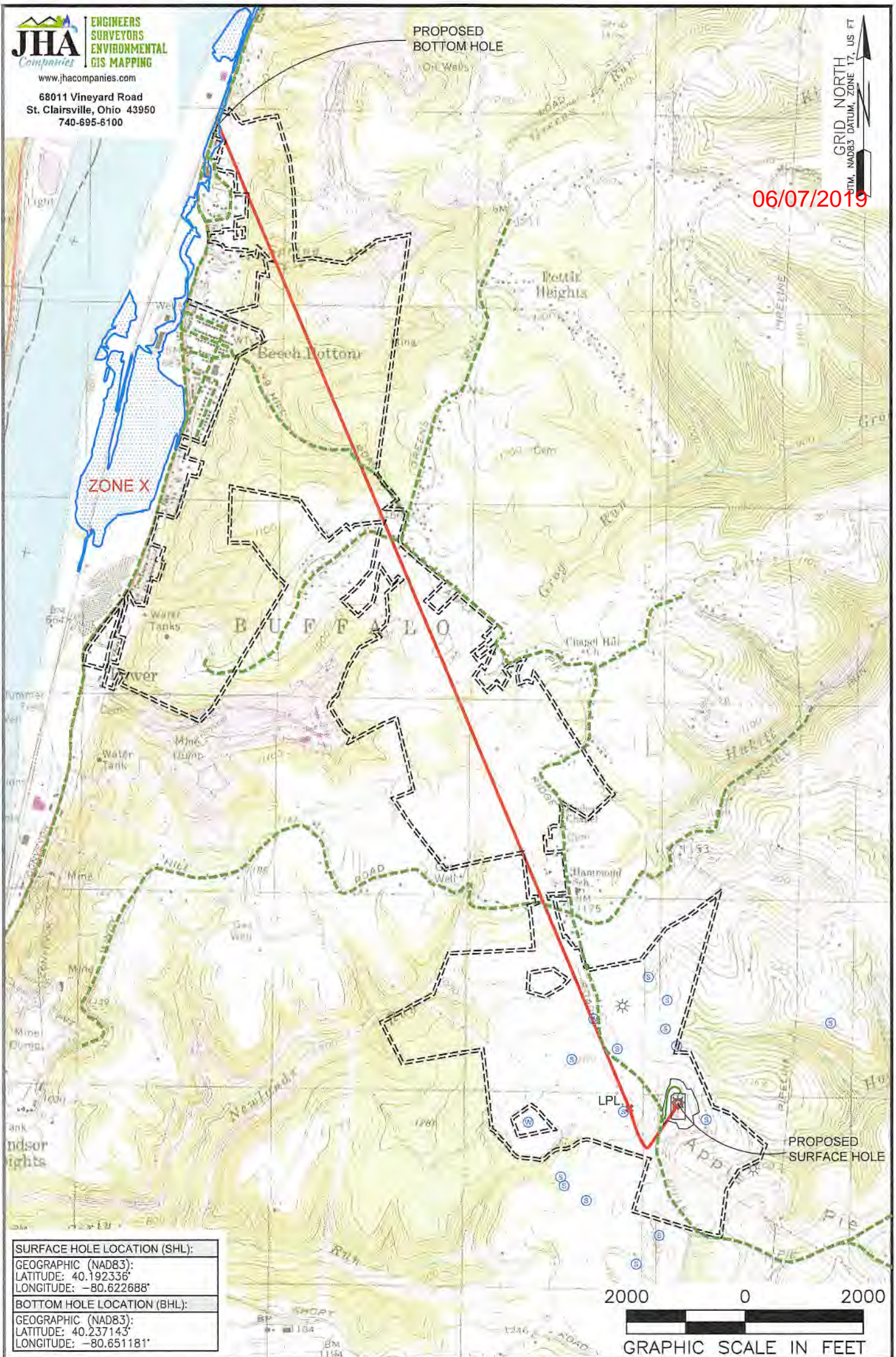
RECEIVED
Office of Oil and Gas
MAY 1 2019
WV Department of
Environmental Protection

The Right People doing the Right Things,
wisely Investing the cash flow from our
underlying Assets, will create Value+®

PROPOSED
 BOTTOM HOLE

GRID NORTH
 DATUM, NAD83 DATUM, ZONE 17, US FT

06/07/2019



SURFACE HOLE LOCATION (SHL):
GEOGRAPHIC (NAD83):
LATITUDE: 40.192336°
LONGITUDE: -80.622688°
BOTTOM HOLE LOCATION (BHL):
GEOGRAPHIC (NAD83):
LATITUDE: 40.237143°
LONGITUDE: -80.651181°

NOTES ON SURVEY

1. SURFACE AND ROYALTY OWNER INFORMATION AND THEIR BOUNDARIES SHOWN HEREON WERE PLOTTED FROM DEEDS AND/OR TAX PARCEL MAPS PROVIDED BY CLIENT AND/OR FIELD LOCATIONS.
2. THIS PLAT DOES NOT REPRESENT A BOUNDARY SURVEY OF THE PARCELS SHOWN HEREON.
3. ALL INSETS ARE GRID NORTH UNLESS OTHERWISE DEPICTED.

LEGEND:

- PROPOSED SURFACE HOLE / BOTTOM HOLE
- EXISTING / PRODUCING WELLHEAD
- LPL LANDING POINT LOCATION
- FLOOD PLAN
- ACCESS ROAD
- PUBLIC ROAD
- ACCESS ROAD TO PREV. SITE
- LEASE BOUNDARY
- PROPOSED PATH

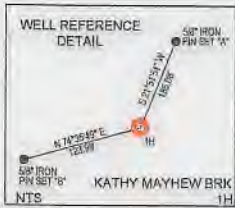
WELL OPERATOR: SWN PRODUCTION COMPANY, LLC	WELL (FARM) NAME: KATHY MAYHEW BRK	WELL # 1H	SERIAL # XXXX
ADDRESS: 1300 FORT PIERPONT DRIVE, SUITE 201, MORGANTOWN, WV 26508	COUNTY - CODE: BROOKE - 009	DISTRICT: BUFFALO	API NO: 47-009-00203
SURFACE OWNER: KATHY LYNN & JAMES MAYHEW, ET AL	USGS 7 1/2 QUADRANGLE MAP NAME: BETHANY, WV & TILTONSVILLE, OH		

LATITUDE: 40°15'00" BOTTOM HOLE (2000' SCALE)

7316'



68011 Vineyard Road
St. Clairsville, Ohio 43950
740-695-6100



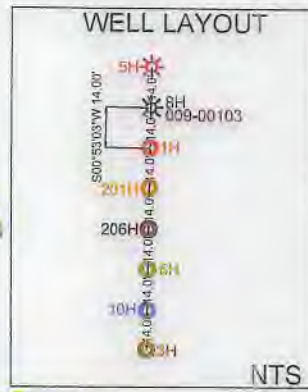
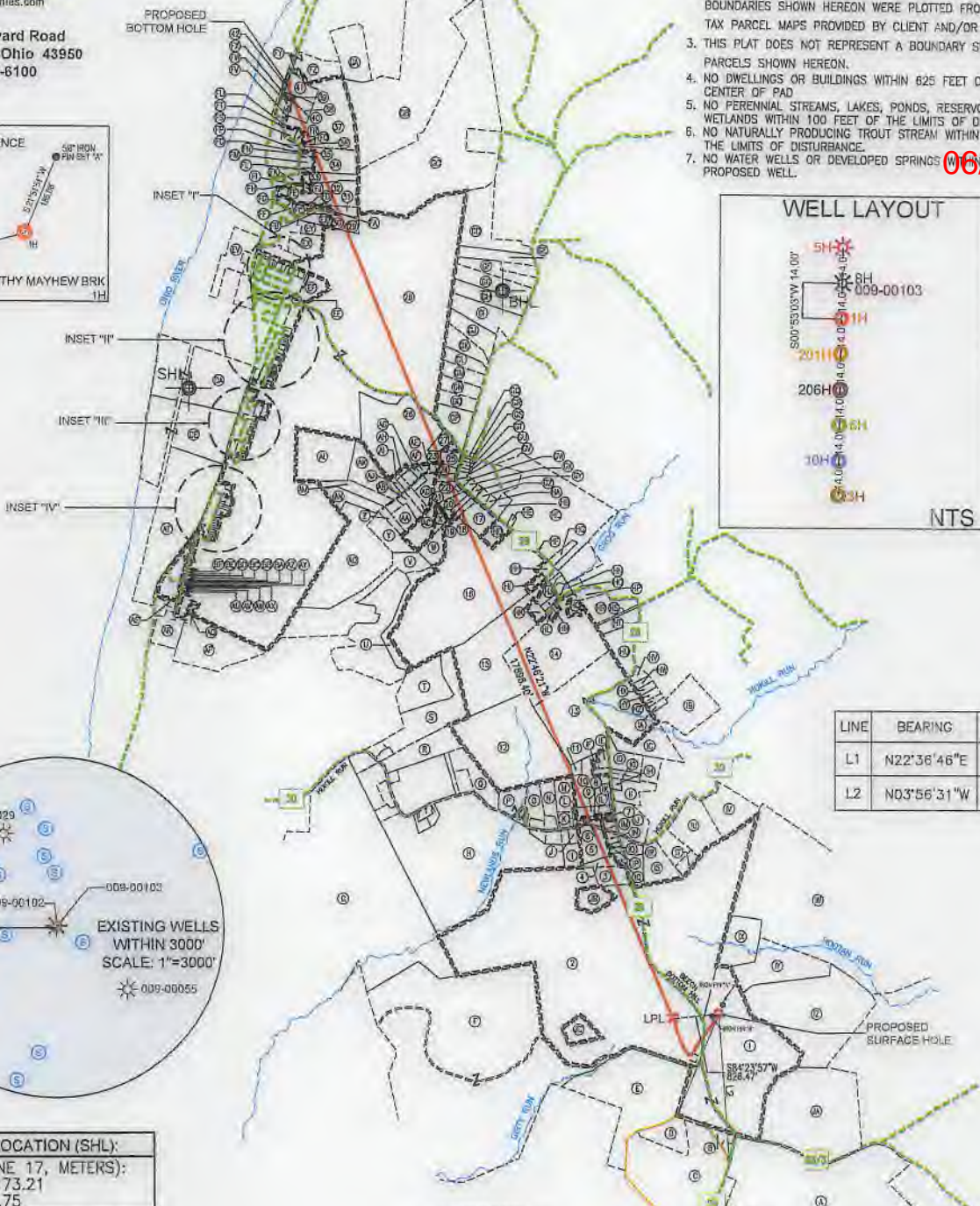
LATITUDE: 40°12'30" SURFACE HOLE (2000' SCALE)

11053'

NOTES ON SURVEY

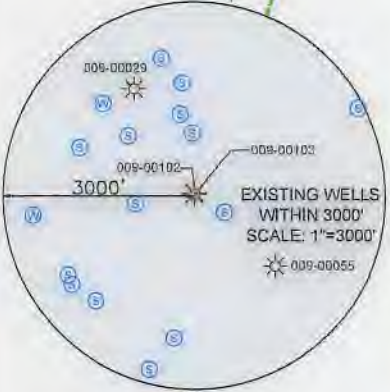
1. COORDINATE SYSTEM IS UTM NAD 83 DATUM, ZONE 17, U.S. FOOT AND WELL COORDINATES ESTABLISHED USING SURVEY GRADE GPS.
2. SURFACE AND ROYALTY OWNER INFORMATION AND THEIR BOUNDARIES SHOWN HEREON WERE PLOTTED FROM DEEDS AND/OR TAX PARCEL MAPS PROVIDED BY CLIENT AND/OR FIELD LOCATIONS.
3. THIS PLAT DOES NOT REPRESENT A BOUNDARY SURVEY OF THE PARCELS SHOWN HEREON.
4. NO DWELLINGS OR BUILDINGS WITHIN 625 FEET OF PROPOSED CENTER OF PAD
5. NO PERENNIAL STREAMS, LAKES, PONDS, RESERVOIRS OR WETLANDS WITHIN 100 FEET OF THE LIMITS OF DISTURBANCE.
6. NO NATURALLY PRODUCING TROUT STREAM WITHIN 300 FEET OF THE LIMITS OF DISTURBANCE.
7. NO WATER WELLS OR DEVELOPED SPRINGS WITHIN 300 FEET OF PROPOSED WELL.

06/07/2019

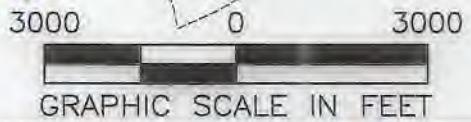


GRID NORTH
UTM, NAD83 DATUM, ZONE 17, US FT

LINE	BEARING	DISTANCE
L1	N22°36'46"E	1945.50'
L2	N03°56'31"W	2565.43'



SURFACE HOLE LOCATION (SHL): UTM (NAD83, ZONE 17, METERS): NORTHING: 4449173.21 EASTING: 532116.75
LANDING POINT LOCATION (LPL): UTM (NAD83, ZONE 17, METERS): NORTHING: 4449144.43 EASTING: 531866.60
BOTTOM HOLE LOCATION (BHL): UTM (NAD83, ZONE 17, METERS): NORTHING: 4454136.65 EASTING: 529671.83

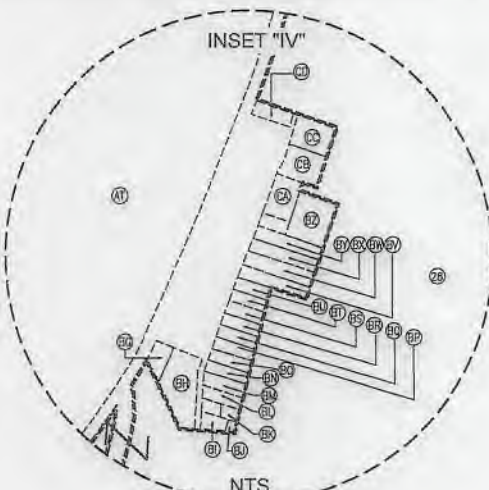
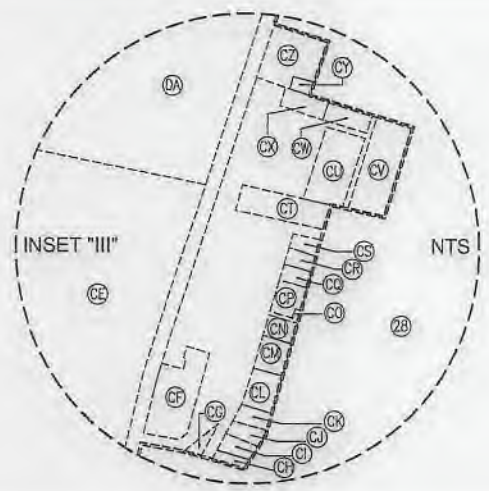
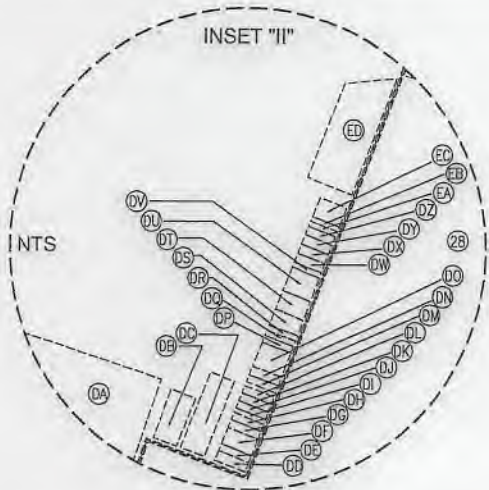
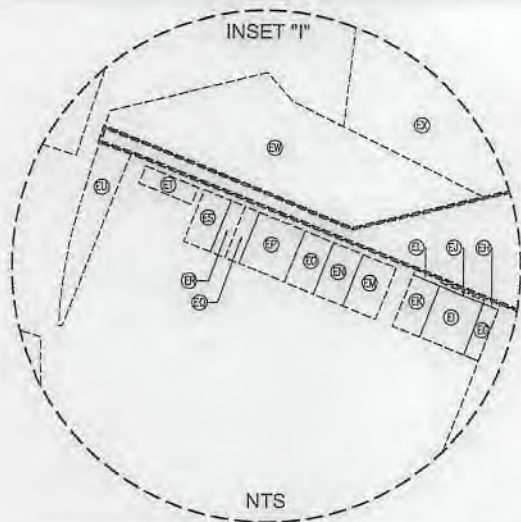


I, THE UNDERSIGNED, HEREBY CERTIFY THAT THIS PLAT IS CORRECT TO THE BEST OF MY KNOWLEDGE AND BELIEF AND SHOWS ALL THE INFORMATION REQUIRED BY LAW AND REGULATIONS ISSUED AND PRESCRIBED BY THE DEPARTMENT OF ENVIRONMENTAL PROTECTION.

P.S. 2275 *David L. Jensen* 4/26/2019

SWN Production Company, LLC **SWN** Production Company™

<p>(+) DENOTES LOCATION OF WELL ON UNITED STATES TOPOGRAPHIC MAPS</p> <p>WVDEP OFFICE OF OIL & GAS 601 57TH STREET CHARLESTON, WV 25034</p>	<p>MINIMUM DEGREE OF ACCURACY: 1/200</p> <p>PROVEN SURVEY SOURCE OF ELEVATION: SURVEY GRADE GPS (NAVD 88, US FT)</p>	<p>KATHY MAYHEW BRK</p> <p>OPERATOR'S WELL #: 1H</p> <p>API WELL #: 47 009 00203</p> <p>STATE COUNTY PERMIT</p>						
	<p>WELL TYPE: OIL <input type="checkbox"/> WASTE DISPOSAL <input type="checkbox"/> PRODUCTION <input checked="" type="checkbox"/> DEEP <input type="checkbox"/> GAS <input checked="" type="checkbox"/> LIQUID INJECTION <input type="checkbox"/> STORAGE <input type="checkbox"/> SHALLOW <input checked="" type="checkbox"/></p> <p>WATERSHED: UPPER OHIO SOUTH ELEVATION: 1,281.2'</p> <p>DISTRICT: BUFFALO COUNTY: BROOKE QUADRANGLE: BETHANY, WV & TILTONSVILLE, OH</p> <p>SURFACE OWNER: KATHY LYNN & JAMES MAYHEW, ET AL ACREAGE: ±84.74</p> <p>OIL & GAS ROYALTY OWNER: KATHY LYNN & JAMES MAYHEW, ET AL ACREAGE: ±84.74</p> <p>DRILL <input checked="" type="checkbox"/> DRILL DEEPER <input type="checkbox"/> REDRILL <input type="checkbox"/> FRACTURE OR STIMULATE <input checked="" type="checkbox"/> PLUG OFF OLD FORMATION <input type="checkbox"/> PERFORATE NEW FORMATION <input type="checkbox"/></p> <p>CONVERT <input type="checkbox"/> PLUG & ABANDON <input type="checkbox"/> CLEAN OUT & REPLUG <input type="checkbox"/> OTHER CHANGE <input type="checkbox"/> (SPECIFY)</p> <p>TARGET FORMATION: MARCELLUS ESTIMATED DEPTH: 6,020' TVD 24,444' TMD</p>	<p>WELL OPERATOR: SWN PRODUCTION COMPANY, LLC ADDRESS: 1300 FORT PIERPONT DRIVE, SUITE 201 CITY: MORGANTOWN STATE: WV ZIP CODE: 26508</p> <p>DESIGNATED AGENT: BRITTANY WOODY ADDRESS: 1300 FORT PIERPONT DRIVE, SUITE 201 CITY: MORGANTOWN STATE: WV ZIP CODE: 26508</p>						
<p>LEGEND:</p> <ul style="list-style-type: none"> PROPOSED SURFACE HOLE / BOTTOM HOLE EXISTING / PRODUCING WELLHEAD LPL LANDING POINT LOCATION EXISTING WATER WELL EXISTING SPRING PUBLIC ROAD SURVEYED BOUNDARY LEASE BOUNDARY PROPOSED PATH 	<p>REVISIONS:</p> <table border="1"> <tr> <td>DATE: 04-26-2019</td> </tr> <tr> <td>API NO: 47-009-00203</td> </tr> <tr> <td>DRAWN BY: D. REED</td> </tr> <tr> <td>SCALE: 1" = 3000'</td> </tr> <tr> <td>DRAWING NO: 2018-341</td> </tr> <tr> <td>WELL LOCATION PLAT</td> </tr> </table>	DATE: 04-26-2019	API NO: 47-009-00203	DRAWN BY: D. REED	SCALE: 1" = 3000'	DRAWING NO: 2018-341	WELL LOCATION PLAT	
DATE: 04-26-2019								
API NO: 47-009-00203								
DRAWN BY: D. REED								
SCALE: 1" = 3000'								
DRAWING NO: 2018-341								
WELL LOCATION PLAT								



WELL BORE TABLE FOR SURFACE / ROYALTY OWNERS		
TRACT	SURFACE OWNER (S) / ROYALTY OWNER (R)	TAX PARCEL
1	KATHY LYNN & JAMES MAYHEW, ET AL (S/R)	03-B42-27
2	JAY GLEN COLLINS	03-B41-80
3	JAY GLEN COLLINS	03-B41-79
4	SANDRA W. BUTLER	03-B41-78
5	SANDRA W. BUTLER	03-B41-72
6	RUTH A. HERCULES	03-B41-88
7	GARY MORRIS	03-B41-90
8	RUTH A. HERCULES	03-B41-91
9	CHARLES J. SUTER & D. LA VAUGHN	03-B41-94
10	ELIZABETH ELLEN FLUHARTY	03-B41-95
11	ERNEST F. & JOANNE P. CAPP	03-B41-98
12	ERNEST F. & JOANNE P. CAPP	03-B41-64
13	LORETTA JOAN BASIL	03-B41-99
14	CAROL L. DUFFY	03-B36-113
15	MARK PHILLIPS, ET AL	03-B36-107
16	WINDSOR POWER HOUSE COAL COMPANY	03-B36-104
17	KEITH HAMILTON	03-B36L-37
18	KEITH L. HAMILTON	03-B36L-35
19	KEITH L. HAMILTON	03-B36L-34
20	FLOYD R. & DORIS M. LOUGHRIE	03-B36L-32
21	FLOYD R. & DORIS M. LOUGHRIE	03-B36L-30
22	DAVID W. DEWITT	03-B36L-31
23	HUBERT ESTES & ERMA HEADEN	03-B36L-29
24	HUBERT ESTES & ERMA HEADEN	03-B36L-02
25	JOHN BADO	03-B36L-01
26	LESTER & KATHERINE WALLACE	03-B36G-01
27	JOHN BADO	03-B36G-02
28	BUSINESS DEVELOPMENT CORP OF THE NORTHERN PANHANDLE	01-BB36-23.1
29	LOUIS & ARLINE MILLER	03-B36-06
30	LOUIS & ARLINE MILLER	03-B36-05
31	UNKNOWN	03-B31-74
32	OTIS M., JR & EDNA JO BAKER	01-BB31-19
33	ALBERT T. & SHEILA PELL	01-BB31-25
34	CARL P. & MARGARET NIELSON	03-B31-58
35	GLADYS VIRGINIA CROW	01-BB31-32
36	HAROLD THOMAS CROW	01-BB31-33
37	CARL P. & MARGARET NIELSEN	01-B31-58
38	ALADDIN SIGNS, INC	01-BB31-54
39	PAUL T. BILLIARD	01-BB31-53
40	PAUL T. BILLIARD	01-BB31-52
41	ALADDIN SIGNS, INC	01-BB31-55
42	STATE ROUTE #2	RIGHT OF WAY

06/07/2019

ADJOINING OWNERS TABLE		
TRACT	SURFACE OWNER	TAX PARCEL
A	JOSEPH S. & JANE M. BUREK	03-B47-19
B	JAMES LAMONT	03-B47-1
C	BETSY D. TUSTIN	03-B47-2-1
D	DALE T. & MARY R. WOOD	03-B46-46
E	MARY WOOD	03-B41-84
F	BARRY L. & PATRICIA A. GREATHOUSE	03-B41-82
G	ROBERT J. MILLER, JR., LINDA MILLER & ET AL	03-B41-47
H	WILLIAM & DAWNA MILLER	03-B41-61
I	SANDRA W. BUTLER	03-B41-71
J	RONALD C. BUTLER, ET AL	03-B41-70
K	FRANK & KELLEY AINSCOUGH	03-B41-89
L	FRANK & KELLEY AINSCOUGH	03-B41-61-7
M	DANIEL R. GORBY	03-B41-61-6
N	COREY CONLEY	03-B41-61-5
O	CARL & JUDITH SPENCER	03-B41-65
P	EMILY J. HUFFNER	03-B41-65-1
Q	ERNEST & JOANN P. CAPP	03-B41-63
R	ERNEST & JOANN PAULINE CAPP	03-B41-53
S	ERNEST F. & JOANNE CAPP	03-B41-52
T	WINDSOR POWER HOUSE COAL COMPANY	03-B41-49
U	WINDSOR POWER HOUSE COAL COMPANY	03-B36-103
V	WINDSOR POWER HOUSE COAL COMPANY	03-B36-101
W	WINDSOR POWER HOUSE COAL COMPANY	03-B36L-36
X	WINDSOR POWER HOUSE COAL COMPANY	03-B36L-33
Y	WINDSOR POWER HOUSE COAL COMPANY	03-B36L-21
Z	WINDSOR POWER HOUSE COAL COMPANY	03-B36L-22
AA	WINDSOR POWER HOUSE COAL COMPANY	03-B36L-23
AB	WINDSOR POWER HOUSE COAL COMPANY	03-B36L-25
AC	WINDSOR POWER HOUSE COAL COMPANY	03-B36L-26
AD	WINDSOR POWER HOUSE COAL COMPANY	03-B36L-28
AE	LESTER & KATHERINE WALLACE	03-B36L-03
AF	LESTER & KATHERINE WALLACE	03-B36L-04
AG	LESTER & KATHERINE WALLACE	03-B36L-05
AH	NICHOLAS S. MINDA (L/E: NORA J. MINDA)	03-B36L-07
AI	LESTER & KATHERINE WALLACE	03-B36L-08



REVISIONS:	COMPANY:				
	OPERATOR'S	KATHY MAYHEW BRK		DATE: 04-26-2019	
	WELL #:	1H		API NO: 47-009-00203	
	DISTRICT:	COUNTY:	STATE:	DRAWN BY: D. REED	
	BUFFALO	BROOKE	WV	SCALE: N/A	
				DRAWING NO: 2018-341	
				WELL LOCATION PLAT	

ADJOINING OWNERS TABLE		
TRACT	SURFACE OWNER	TAX PARCEL
AJ	BARBARA J. SWIGER	03-B36L-10
AK	TAMMY R. & RANDOLPH L. CLARK	03-B36L-11
AL	KRISTINA L. & JEFFREY M. BARR	03-B36L-11.1
AM	AMANDA HUFF	03-B36L-17
AN	CONNIE WAGNER	03-B36L-15
AO	BRIAN D. & CASEY K. RICHARDSON	03-B36L-21.1
AP	WINDSOR POWER HOUSE COAL COMPANY	03-B36-91
AQ	WINDSOR POWER HOUSE COAL COMPANY	03-BB36-22
AR	WINDSOR POWER HOUSE COAL COMPANY	03-BB36-25
AS	RALPH & MARY ANN PLANTS	03-BB36-04
AT	BUSINESS DEVELOPMENT CORP OF THE NORTHERN PANHANDLE	03-BB36-01
AU	PAUL & GENEVIEVE CUNNINGHAM	01-BB36-17
AV	PAUL & MARY G. CUNNINGHAM	01-BB36-16
AW	FRANKLIN MILLER	01-BB36-15
AX	FRANKLIN MILLER	01-9B36-14
AY	FRANKLIN MILLER	01-BB36-13
AZ	FRANKLIN MILLER	01-BB36-12
BA	FRANKLIN & CONNIE J. MILLER	01-BB36-11
BB	FRANKLIN & CONNIE J. MILLER	01-BB36-10
BC	CHERYL E. SMITH & LINDA CURIA (L/E: ROBERT & JOANN SMITH)	01-BB36-09
BD	STEVEN ANDREW & DEBBIE LYNN MURDOCK	01-BB36-08
BE	DANIEL L. & CATHY J. JOHNSTON	01-BB36-07
BF	LELAND J. & TRACY A. DICKINSON	01-BB36-06
BG	CHRISTOPHER DEAN	01-B36K-30
BH	CHARLES G. & CHRISTINE L. HOOD	01-B36K-31
BI	CHARLES G. & CHRISTINE L. HOOD	01-B36K-50.3
BJ	JAMES D. MEADOWS	01-B36K-50.1
BK	JAMES D. MEADOWS	01-B36K-50.2
BL	MARK L. & SHARON KAY JORDAN	01-B36K-50
BM	MARK L. & SHARON KAY JORDAN	01-B36K-49
BN	JOHN & VIOLET E. CORSO	01-B36K-48
BO	JOHN & VIOLET E. CORSO	01-B36K-47
BP	JOHN & VIOLET E. CORSO	01-B36K-46
BQ	AYLSSA R. NEGRI	01-B36K-45
BR	AYLSSA NEGRI	01-B36K-44
BS	JOHN MILLER	01-B36K-43
BT	DONALD & ROSEMARIE MEADOWS	01-B36K-42
BU	MORRIS BLEAU	01-B36K-41
BV	MORRIS W. BLEAU	01-B36K-40
BW	MORRIS BLEAU	01-B36K-39
BX	CARL B. LINDSEY	01-B36K-38
BY	LINDA DARLIN SPENCER	01-B36K-37
BZ	MARISSA J. & ROBERT B. FORSHEY	01-B36K-36
CA	DONALD E. & PATRICIA A. GILBERT	01-B36K-34
CB	MARISSA J. FORSHEY	01-B36K-33
CC	MARISSA J. FORSHEY	01-B36K-32
CD	WANDA S. JONES	01-B36K-14
CE	BUSINESS DEVELOPMENT CORP OF THE NORTHERN PANHANDLE	01-B36K-13
CF	DENNIS RUSCHIEL	01-B36K-02
CG	VILLAGE OF BEECH BOTTOM	01-B36K-03
CH	DOLORES VIRGINIA COEN	01-B36K-12
CI	VILLAGE OF BEECH BOTTOM	01-B36K-11
CJ	CURTIS D. & TINA L. OSSMAN	01-B36K-10
CK	WILLIAM JONES	01-B36K-09
CL	WILLIAM JONES	01-B36K-08
CM	NICHOLAS RYNAWEC	01-B36F-96
CN	GARY EDWARD & CONSTANCE L. COOPER	01-B36F-95
CO	UNKNOWN	01-B36F-94
CP	WILLIAM E. & DEBRA L. LEONARD	01-B36F-93
CQ	TARA D. SUTER	01-B36F-92
CR	TARA D. SUTER	01-B36F-91
CS	JOHN ESKEY	01-B36F-90
CT	AMY N. FREY	01-B36F-89
CU	BRUCE & DEBBI SELMON	01-B36F-86
CV	BRUCE & DEBBI SELMON	01-B36F-85
CW	TERRY LYNN LILLY	01-B36F-84
CX	GEORGE W. & CHARLOTTE BARNHART	01-B36F-81
CY	GEORGE W. & CHARLOTTE BARNHART	01-B36F-79
CZ	C & P TELEPHONE COMPANY OF WEST VIRGINIA	01-B36F-78
DA	MARK T. SVETIC	01-B36F-77
DB	BUSINESS DEVELOPMENT CORP OF THE NORTHERN PANHANDLE	01-B36F-25
DC	JAC FRED WY, LLC (A NORTH CAROLINA LLC)	01-B36F-26
DD	MICHAEL EDWARD & EMMA FEDCZAK	01-B36F-76
DE	MICHAEL EDWARD & EMMA FEDCZAK	01-B36F-75
DF	SHELBY L. CASTO	01-B36F-74
DG	SHELBY L. CASTO	01-B36F-73
DH	PHYLLIS MARKER	01-B36F-72
DI	GLENN T. & CAROLYN MOORE	01-B36F-71
DJ	CAROLYN K. MOORE	01-B36F-70
DK	JEFFREY & CHERYL WEEKLEY	01-B36F-69
DL	JEFFREY L. STOLLAR	01-B36F-68
DM	JUNE E. MORRELL	01-B36F-67
DN	JUNE E. MORRELL	01-B36F-66
DO	KENNETH R. ROWAN	01-B36F-65
DP	ALLEN KEITH & CAROLE YARRLING	01-B36F-64
DQ	JUNE E. MORRELL	01-B36F-63
DR	EDWARD A. POLAND	01-B36F-62
DS	LELAND J. & TRACEY A. DICKINSON	01-B36F-61
DT	THE VILLAGE OF BEECH BOTTOM	01-B36F-60
DU	JOYCE L. PAINTER	01-B36F-59
DV	JANET L. RICHARDSON	01-B36F-58
DW	JANET L. RICHARDSON	01-B36F-57
DX	JANET L. RICHARDSON	01-B36F-56
DY	JANET L. RICHARDSON	01-B36F-55
DZ	JANET L. RICHARDSON	01-B36F-54
EA	MONONGAHELA POWER COMPANY	01-B36F-53

ADJOINING OWNERS TABLE		
TRACT	SURFACE OWNER	TAX PARCEL
EB	LARRY W. GRIMES	01-B36F-52
EC	LARRY W. GRIMES	01-B36F-51
ED	BOARD OF EDUCATION	01-B36B-106
EE	CLINTON W. & LORRAINE DEWITT	01-B36B-61
EF	THE VILLAGE OF BEECH BOTTOM	01-B36B-17
EG	THE VILLAGE OF BEECH BOTTOM	01-B36B-16
EH	THE VILLAGE OF BEECH BOTTOM ALLEY A	01-B36B-15
EI	JUSTIN & AMANDA SMART	01-B36B-15
EJ	JUSTIN & AMANDA SMART	01-B36B-13
EK	GEORGE M. & JUDY LEWIS	01-B36B-14
EL	GEORGE M. & JUDY LEWIS	01-B36B-12
EM	BELINDA DAUGHERTY & ET AL	01-B36B-11
EN	BARBARA MCCUTCHAN	01-B36B-10
EO	WILLIAM B., JR. & ELIZABETH N. CAIN	01-B36B-09
EP	SHEILA ANN LAZEAR, ROBERT S. LAZEAR & ET AL	03-B36B-08
EQ	SHEILA ANN LAZEAR, ROBERT S. LAZEAR & ET AL	01-B36B-07
ER	JOHN C. & KELLY A. RICHIE	01-B36B-06
ES	JOHN C. & KELLY A. RICHIE	01-B36B-05
ET	PATRICK J. DALBO	01-B36B-02
EU	THE VILLAGE OF BEECH BOTTOM	01-B36B-01
EV	BROWNLEE LAND VENTURES, LP	01-B36B-115
EW	JOYCE A. SMITH	01-B36B-120
EK	HEALTHWAYS, INC.	01-B36B-121
EY	LARRY WILLIAM COUCH (L/E: JEAN COUCH)	01-B36B-124
EZ	EDWARD A. CONERY	01-B36B-125
FA	JOYCE A. CAPELLE	01-BB31-18
FB	LOUIS J. & ARLINE F. MILLER	01-BB31-17
FC	LOUIS J. & ARLINE F. MILLER	01-BB31-16
FD	LOUIS W. MILLER	01-BB31-14
FE	EDWARD A. CONERY	01-BB31-13
FF	SYLVIA C. BENNETT	01-BB31-12
FG	GARY LEE & WENDY FAITH BENNETT	01-BB31-11
FH	WILLIAM E. & SUSAN A. MALSON	01-BB31-22
FI	KEVIN A. & PATRICIA A. SHANE	01-BB31-20
FJ	LISA LANCASTER	01-BB31-21
FK	KEVIN A. & PATRICIA A. SCHANE	01-BB31-24
FL	DONALD A. HATCH & SHAWN A. TENNANT	01-BB31-29
FM	WALTER R. & MARJORIE T. TAYLOR	01-BB31-30
FN	CARL P. & MARGARET NIELSEN	01-BB31-31
FO	GLADYS VIRGINIA CROW	01-BB31-39
FP	LOUIS W. MILLER	01-BB31-38
FQ	BERNARD J. LOMBARD, III	01-BB31-34
FR	GEORGE T. & GEARLDINE CASTO	01-BB31-35
FS	NED H., JR. & MARY FISHER	01-BB31-36
FT	NED H., JR. & MARY FISHER	01-BB31-36.1
FU	HANS FISHER	01-BB31-37
FV	PAUL T. BILLIARD	01-BB31-49
FW	PAUL T. BILLIARD	01-BB31-51
FX	WHEELING LAND DEVELOPMENT CORPORATION	01-BB31-56
FY	BERNARD J. LOMBARD, III	01-BB31-57
FZ	JAMES B. & CYNTHIA S. MCLEAN	01-BB31-59
GA	JASON JARRETT KOKOSINSKI	01-BB31-64
GB	BERNARD J. LOMBARD, III	03-B31-82
GC	BERNARD J. LOMBARD, III	03-B31-81
GD	STEPHEN A. FODOR	03-B36-176
GE	JOHN R. HOFFMAN & ALICE J. BUCHANAN	03-B36-175
GF	PAUL D. & KIMBERLY D. LEONARD	03-B36-173
GG	BRANNON P. & EMILY M. LEONARD	03-B36-172
GH	BRANNON P. & EMILY M. LEONARD	03-B36-171
GI	HARLEY J. LEMASTERS	03-B36-170
GJ	HARLEY J. LEMASTERS	03-B36-47
GK	HARLEY LEMASTERS	03-B36G-46
GL	HARLEY LEMASTERS	03-B36G-45
GM	HARLEY LEMASTERS	03-B36G-44
GN	HARLEY LEMASTERS	03-B36G-43
GO	HARLEY J. LEMASTERS	03-B36G-42
GP	HARLEY J. LEMASTERS	03-B36G-41
GQ	HARLEY LEMASTERS	03-B36G-63
GR	ALBERTA JUNE HEADEN	03-B36L-50
GS	ALBERTA JUNE HEADEN & JUNE ALBERTA (L/E)	03-B36L-49
GT	ALBERTA JUNE HEADEN	03-B36L-48
GU	ALBERTA JUNE HEADEN	03-B36L-47
GV	ALBERTA JUNE HEADEN	03-B36L-46
GW	ELEANOR CANDIDA EVANS	03-B36L-45
GX	ANTHONY ALLEN WHITEHEAD	03-B36L-44
GY	CHRISTOPHER & MAUREEN GOLICK	03-B36L-43
GZ	THOMAS & SUSAN DONATHAN	03-B36L-42
HA	BILLIE D. KINS	03-B36L-41
HB	DANNY L. & THERESA E. STILLION	03-B36L-40
HC	BRIAN L. TESLOVICH	03-B36-145
HD	FLOYD R. & DORIS M. LOUGHRIE	03-B36L-38
HE	TAMMY S. MASSEY	03-B36L-39
HF	COLUMBIA GAS COMPANY	03-B36-144
HG	LYNN COULTER, DAVID COULTER & ET AL	03-B36-143
HH	BEECH BOTTOM VOLUNTEER FIRE DEPARTMENT	03-B36-105
HI	TREVOR SEAN RICHMAN	03-B36-106
HJ	FREDERICK B. & JULIE M. DAVIS	03-B36-108
HK	DAVID MCCLURE	03-B36-110
HL	MEMORI HOME & GARDENS, LLC	03-B36-111
HM	ROBERT & GEORGIA FATHERINGHAM	03-B36-109
HN	MARK A. & MELODY J. ADAMS	03-B36-139
HO	SCOTT B. & AMY L. COEN	03-B36-138
HP	MARK LLOYD & JOANN VAN HORN	03-B36-114
HQ	ALFRED B., JR. & CATHY COEN	03-B36-112
HR	DONNA HARMS & CAROLYN L. BARNES	03-B36-115
HS	DONNA HARMS & CAROLYN BARNES	03-B36-116

ADJOINING OWNERS TABLE		
TRACT	SURFACE OWNER	TAX PARCEL
HT	JEFFREY ALAN FERRY & ET AL	03-B36-117
HU	MARK LLOYD & JOANN VAN HORN	03-B36-118
HV	MAXINE GEORGE & JOHN GEORGE, JR.	03-B41-100
HW	ERVAN R. COWAN, RICHARD COWAN, DIANE DIGHT & JODY TENNANT	03-B41-101
HX	WILLIAM J. & SANDRA L. COCHRAN	03-B41-102
HY	WAYNE J. & KASSI JO SMITH	03-B41-103
HZ	WAYNE J. & KASSI JO SMITH	03-B41-104
IA	ROGER L. & KAREN A. SNODERLY	03-B41-105
IB	ROGER L. & KAREN A. SNODERLY	03-B41-106
IC	KADESH CHAPEL CEMETARY	03-B41-107
ID	KADESH CHAPEL CEMETARY	03-B41-108
IE	REBECCA A. LOWMILLER	03-B41-109
IF	JEFF & REGINA M. VANCAMP	03-B41-97
IG	KADESH CHAPEL CEMETARY	03-B41-111
IH	HAROLD GRIFFIN, JR. & LINDA GRIFFIN	03-B41-112
II	HAROLD D. & EVELYN G. GRIFFIN	03-B41-113
IJ	RICHARD A. & PRISCILLA OLIVER	03-B41-115
IK	GARY A. MORRIS, SR.	03-B41-93
IL	RUTH A. HERCULES	03-B41-92
IM	DEWAYNE E. & ALBERTA J. KELLER	03-B41-87
IN	ETHEL I. SCHERICH	03-B41-73
IO	ETHEL I. SCHERICH	03-B41-75
IP	SANDRA W. BUTLER	03-B41-74
IQ	SANDRA W. BUTLER	03-B41-77
IR	JAY G. COLLINS, II	03-B41-85
IS	HENRY MIKELS & BONNIE W. BURKETT	03-B41-86-1
IT	JASON D. & MARY E. WHITE	03-B41-86
IU	ROBERT D. HILDEBRAND, II & LESLIE C. HILDEBRAND	03-B42-63
IV	FRANK G. & KELLY L. AINSOUGH	03-B42-71
IW	HENRY HENZEROTH	03-B42-32
IX	APPALACHIA MIDSTREAM SERVICES, LLC	03-B42-30
IY	APPALACHIA MIDSTREAM SERVICES, LLC	03-B42-31
IZ	APPALACHIA MIDSTREAM SERVICES, LLC	03-B42-29
JA	ELIZABETH ELLEN FLUHARTY	03-B47-18
JB	JOSEPH P. SCRIP, SR. & ROBIN M. SCRIP	03-B41-80-2
JC	MARK & TRINA PROVENZANO	03-B41-80-1

06/07/2019

REVISIONS:	COMPANY:	 	
	OPERATOR'S:	KATHY MAYHEW BRK	
	WELL #:	1H	
	DISTRICT:	COUNTY:	STATE:
	BUFFALO	BROOKE	WV
			DATE: 04-26-2019
			API NO: 47-009-00203
			DRAWN BY: D. REED
			SCALE: N/A
			DRAWING NO: 2018-341
			WELL LOCATION PLAT